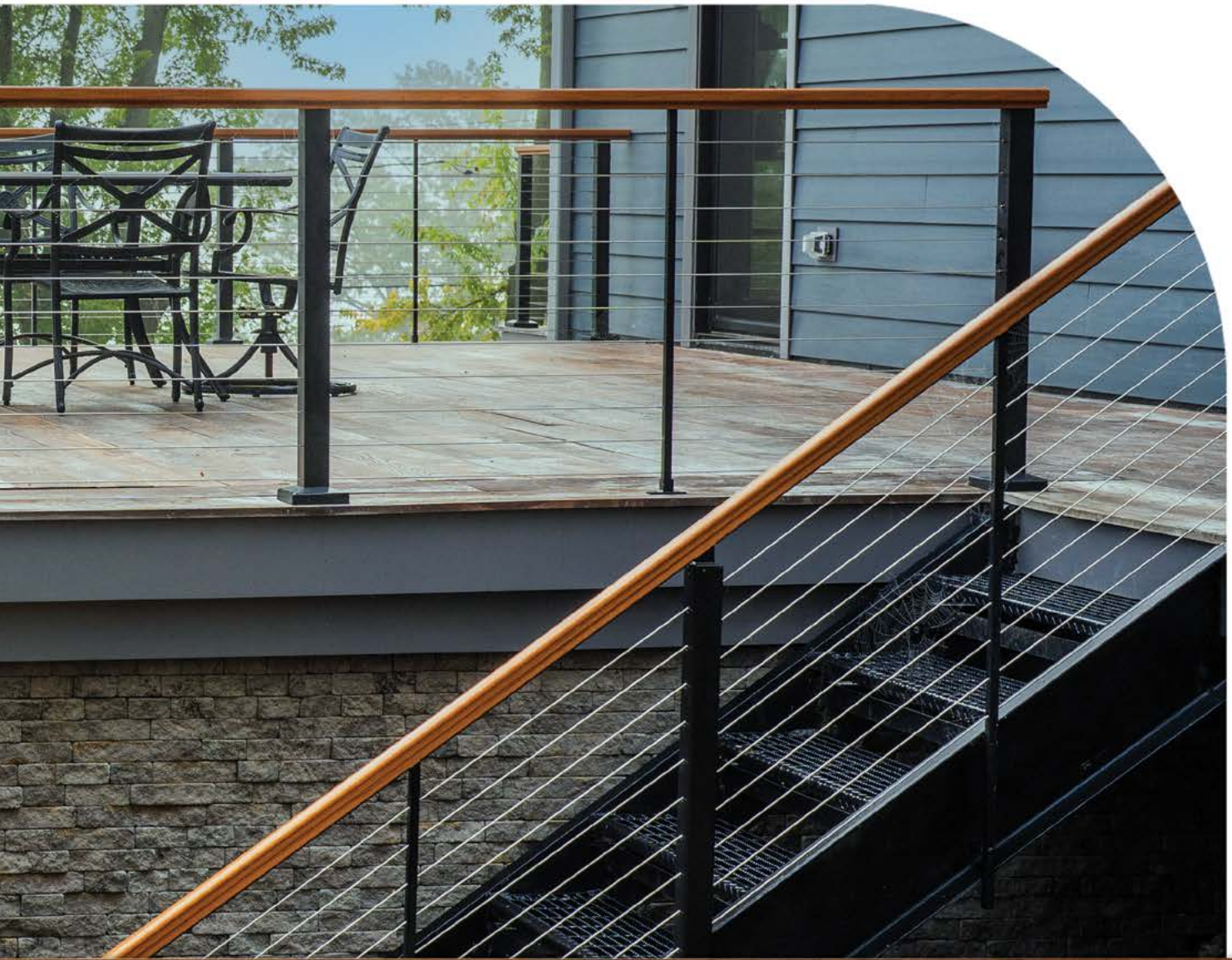


feeney®  DESIGN·RAIL®



**Aluminum Railing Systems**

# Discover the World of Feeney®

## Where do I start?

Design styles, inspiration, and other helpful information.

1

## It's all in how you frame it!

Check out our product lines with unique design options.

5

## Classic Kits

Traditional full frame railing with CableRail.

7

## Modern Kits

Minimalist no bottom rail frame with CableRail.

9

## Custom

Fully customizable frame, multiple infill options.

11

## Putting it all together

Detailed product comparison chart, technical specifications and build components.

21

## How to Order

Check out Feeney's order guides to assist in understanding your choices.

34

## Feeney Makes It Easy™

We're here to help with resources for project inspiration and more.

40

feeney® 

# Where do I start?

## Feeney helps you find your style

Your new railing is a design element that should complement your space. Knowing your style can help you make infill and color choices. Learn more with these online resources:



### Trends and Tips

Get the latest style trends, learn product tips and industry news: [feeneyinc.com/blog](https://feeneyinc.com/blog)



### Get Inspired

Check out our showcase projects: [feeneyinc.com/resources/video-gallery/](https://feeneyinc.com/resources/video-gallery/)  
[feeneyinc.com/resources/image-gallery/](https://feeneyinc.com/resources/image-gallery/)



### Ideas and Advice

Design knowledge and resources on our website [feeneyinc.com/design-inspiration/](https://feeneyinc.com/design-inspiration/)

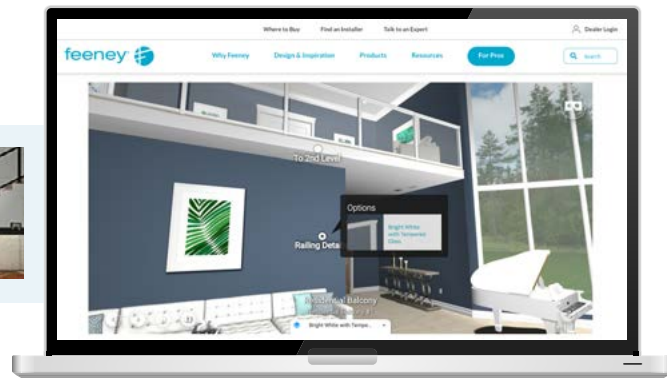


### See it Yourself

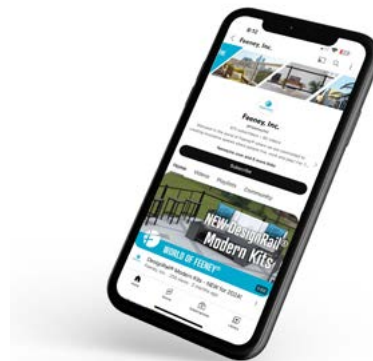
Order samples of our colors and top rails online [swatchbox.com/pro/manufacturer/feeney](https://swatchbox.com/pro/manufacturer/feeney)

## Bring Your Vision to Life

Design your interior or exterior project and try out all our railing options: [feeneyinc.com/visual-builder/](https://feeneyinc.com/visual-builder/)



Feeney Blog



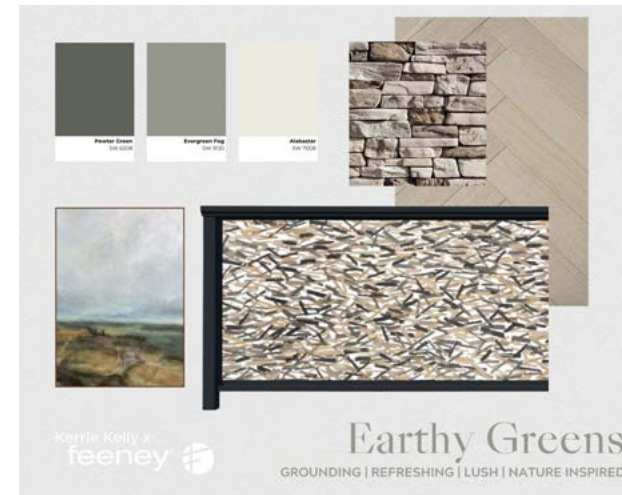
Video Gallery

## Design Expertise

Get expert advice from interior designer and Feeney Brand Ambassador **Kerrie Kelly** with these stylish moodboards. Get more tips and inspiration from Kerrie on our website: [feeneyinc.com/kerrie-kelly/](https://feeneyinc.com/kerrie-kelly/)



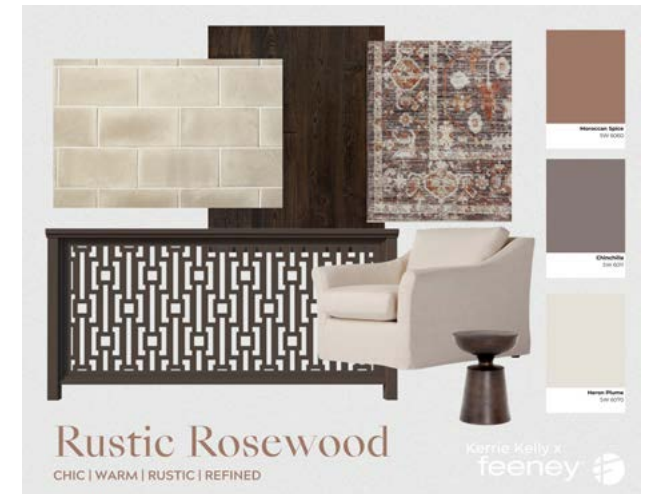
DESIGNRAIL® CUSTOM IN BLACK, WITH INTERMEDIATE HORIZONTAL RAIL AND CABLERAIL



DESIGNRAIL® CUSTOM IN BLUE STEEL WITH RESIN PANEL IN KATHALI GRAYS



DESIGNRAIL® CUSTOM IN COMMODORE BLUE WITH STAINLESS STEEL MESH IN ALLURE™



DESIGNRAIL® CUSTOM IN OIL RUBBED BRONZE WITH LASER CUT ALUMINUM PANEL IN CUBIST®

## Feeney Favorites

KK Studio x Feeney Inc.

Kerrie Kelly pinned her most loved Feeney photos - you can see them on her Pinterest board:

[pinterest.com/kerriekelly/feeney-favorites-kk-studio-x-feeney-inc/](https://pinterest.com/kerriekelly/feeney-favorites-kk-studio-x-feeney-inc/)



Feeney Newsletter 2014 Q1 - Contractor  
K Kerrie Kelly



Feeney Newsletter 2014 Q4 - Contractor  
K Kerrie Kelly



Feeney Newsletter 2013 Q2 - Architect - A  
K Kerrie Kelly



Feeney Newsletter 2015 Q2 - Architect  
K Kerrie Kelly

# Why Feeney® is your choice for railing



## Feeney, Inc. is a leading manufacturer of high quality architectural products that enhance the spaces where people live, work and play.

Since 1948, Feeney has been committed to providing construction professionals and DIY homeowners with innovative, beautiful, easy-to-use products. Feeney, Inc. holds several patents that make installing our railings faster and safer, and keep them looking beautiful for years.

The company's longevity can be attributed in part to the concierge-type service and care Feeney shows its customers, which is a central component of the company's DNA.

Feeney experts are with you every step of the way from product questions and design assistance, to installation support. We can provide drawings, estimates, and help you find local resources like dealers and professional contractors.



*DesignRail® Custom in Silver with Horizontal CableRail Infill*

## Exceptional Railings

Don't just take our word for it, check out these proven success stories, and find more online at [feeneyinc.com/project-stories](https://feeneyinc.com/project-stories)

▶ **The Kimpton Sylvan Hotel** is an adaptive reuse project artfully re-imagined into a boutique retreat with a mid-century modern theme. Located in Atlanta's elegant Buckhead area, the building was restored to its earlier grandeur by SSOE | Stevens & Wilkinson. The crown jewel of this award-winning hotel is the rooftop lounge enclosed by DesignRail® with Stainless Steel Mesh infill.



*DesignRail® Custom in Modern White with Stainless Steel Mesh in Allure™*

## People, Planet, Passion

We have always been ahead of the curve when it comes to environmental practices. Feeney's manufacturing facility in Nebraska features a state-of-the-art powder coating line that emits no V.O.C.s or heavy metal waste, uses a non-chromium pre-treatment wash, and reclaims 93% of the waste water via a reverse-osmosis membrane filtration system.

While most companies import their railings already painted, DesignRail® is assembled in-house and powder coated by hand with chemically-balanced, high-performance powders.

Regular evaluations of each powder color are performed to maintain the right chemical balance, and make adjustments as needed to see that they stand up to our strict standards. Special instruments are used to measure the thickness of the powder over the aluminum, both before and after the railing goes through the cure oven. Frequent testing, including third-party testing, is one of the keys to maintaining consistent quality.

Here are more reasons to choose DesignRail® by Feeney:



**DesignRail® lasts longer**, to reduce replacement costs and maximize material usage efficiency.



**DesignRail® is low maintenance** and requires no stains, solvents, varnishes or preservatives that may contain contaminating chemicals.



**DesignRail® contains 50% post-consumer recycled content**; upon disposal, the materials can be recycled at metal reclamation sites.



**DesignRail® uses less raw material** which allows for easier handling.



*DesignRail® Custom in Silver with Horizontal CableRail Infill*

◀ **The Boat House** is nicknamed for its resemblance to a steamship from the 1920s, a unique home built on a bluff overlooking a river. The home features multiple decks, including a curved deck on the top level and the railings were an integral part of the overall design. DesignRail® with CableRail infill was chosen because it fit with the theme of the home, maximized the view, and will withstand exposure to the elements found in a waterfront setting.

▶ The **Whaler Condominiums** project on Ka'anapali Beach, Maui, presented a number of unique and complex staging, environmental and product design challenges. Feeney produced 16,000 linear feet of DesignRail® aluminum railings that surround the balconies on each of the 12-story residential condominium buildings. The railings feature a custom anodized powder-coated finish.

See all project stories:  
[feeneyinc.com/project-stories](https://feeneyinc.com/project-stories)



*DesignRail® Custom in Champagne Anodized Finish, Aluminum Picket Infill*

## Different frames to fit your style and needs.

It's your masterpiece, frame it as you wish! Do you want privacy, views for miles or a grand staircase to wow your guests? DesignRail® by Feeney® offers you several options to choose from to create your dream railing.



## Classic Kits PAGE 7

- IN STOCK AT YOUR LOCAL DEALER**
- RESIDENTIAL APPLICATIONS ONLY
  - 6' FRAMES FOR 36" AND 42" RAILINGS
  - POWDER-COATED FRAME: BLACK/TEXTURED BLACK
  - BASE MOUNTED POSTS
  - HORIZONTAL CABLERAIL WITH BOTTOM RAIL
  - SERIES 150 GRASPABLE TOP RAIL FOR LEVEL OR STAIR



## Modern Kits PAGE 9

- IN STOCK AT YOUR LOCAL DEALER**
- RESIDENTIAL APPLICATIONS ONLY
  - 6' AND 8' FRAMES FOR 36" RAILINGS, 6' FRAMES FOR 42" RAILINGS
  - POWDER-COATED FRAME: BLACK/TEXTURED BLACK
  - BASE MOUNTED POSTS
  - HORIZONTAL CABLERAIL WITH NO BOTTOM RAIL
  - SERIES 250 GRASPABLE TOP RAIL FOR LEVEL OR STAIR
  - HIDDEN FASTENERS
  - OPTIONAL DRINK RAIL ADAPTER



## Custom PAGE 11

- MADE TO ORDER**
- RESIDENTIAL OR COMMERCIAL APPLICATIONS
  - 4' TO 6' FRAMES FOR 36", 39", 42" AND CUSTOM HEIGHTS
  - POWDER-COATED FRAME: 15 COLOR OPTIONS
  - 4 STANDARD MOUNTING OPTIONS
  - MULTIPLE INFILL OPTIONS, MIX AND MATCH
  - 4 TOP RAIL OPTIONS IN 18 COLORS
  - OPTIONAL HANDRAILS FOR STAIRS
  - CUSTOM GATES AVAILABLE
  - LED LIGHTING AVAILABLE

# DESIGN·RAIL® CLASSIC

## Modular Aluminum Kits with CableRail

Searching for a fast and easy rail solution? Check out DesignRail® Classic for a traditional look. Rail Kits for 36-inch and 42-inch high railings come in 6 foot lengths and include an intermediate picket. Series 150 Top Rail graspable handrail meets building code requirements for residential stairs and runs between the posts for a timeless look. Post Kits are pre-drilled for 1/8" CableRail Kits infill. Level and stair solutions available.



### CLASSIC KITS ARE IN STOCK AT YOUR LOCAL DEALER

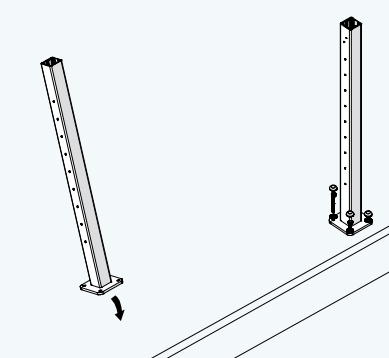
- RESIDENTIAL APPLICATIONS ONLY
- 6' FRAMES FOR 36" AND 42" RAILINGS
- POWDER-COATED FRAME: BLACK/TEXTURED BLACK
- BASE MOUNTED POSTS
- HORIZONTAL CABLERAIL WITH BOTTOM RAIL
- SERIES 150 GRASPABLE TOP RAIL FOR LEVEL OR STAIR



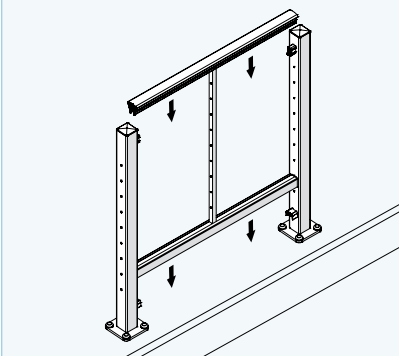
Full product details and installation instructions can be found on our website:  
[feeneyinc.com/product/Design-Rail-Classic](https://feeneyinc.com/product/Design-Rail-Classic)

### Installation is easy!

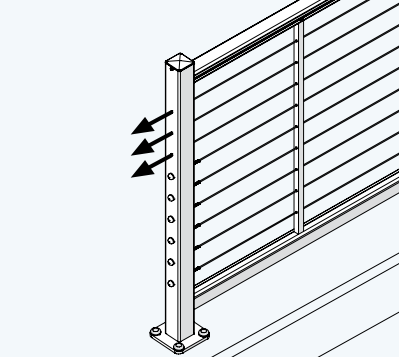
#### INSTALL POSTS



#### ASSEMBLE & ATTACH RAIL KITS



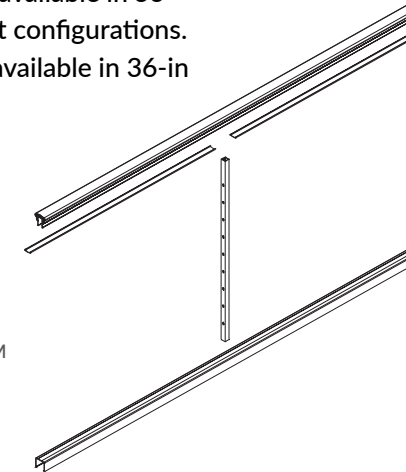
#### INSTALL CABLERAIL



All DesignRail® Classic Kit components are engineered for **easy installation** that **snap and screw together**. Posts and rails are manufactured from 6000 series aluminum and feature AAMA-2604 powder-coated finishes for long lasting beauty and durability. Each railing project will require specific quantities and types of kits and parts depending on the configuration of your layout.

### Classic Rail Kits

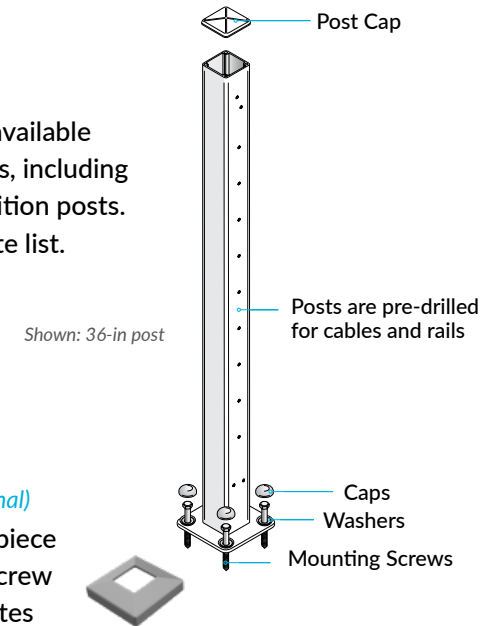
Level Rail Kits are available in 36-in and 42-in height configurations. Stair Rail Kits are available in 36-in height available.



SEE ASSEMBLY DIAGRAM ON PAGE 24

### Classic Post Kits

10 post configurations available for level and stair railings, including three level to stair transition posts. See page 34 for complete list.



### Base Plate Covers (optional)

These easy-to-install 2-piece covers conceal the lag screw heads and post base plates to give the railing a beautiful finishing touch.

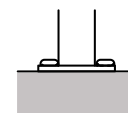
### DesignRail® Classic Kits Features



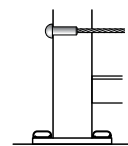
**SERIES 150 TOP RAIL**  
Top rail profile for level and stairs, installs between posts, meets residential handrail graspability code requirements. *Top Rail details: page 29*



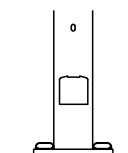
**SINGLE CORNER POST**  
Unique design allows continuation of cable through corners with only one post



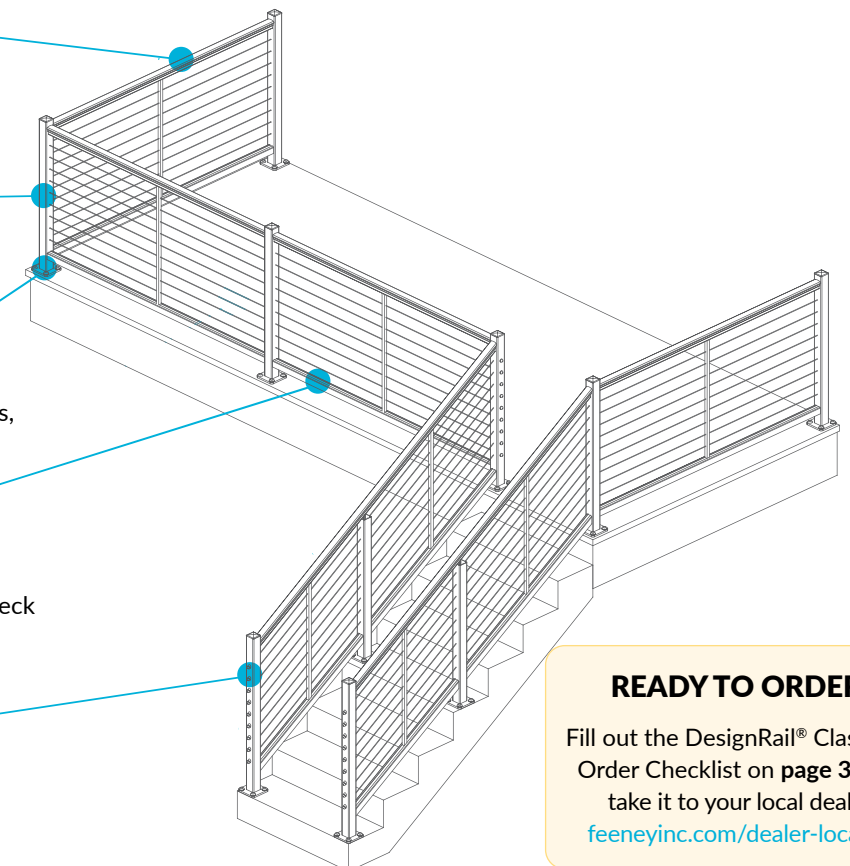
**BASE MOUNTED POSTS**  
Durable 3/8" thick base plate with fully-threaded stainless steel lag screws, provide a strong and secure a (*lag screws included*)



**CABLERAIL INFILL WITH BOTTOM RAIL**  
with bottom rail profile 3-1/4" above deck (*CableRail Kits sold separately*)



**PRE-DRILLED POSTS**  
Makes it easy to install CableRail infill in level and stair railings (29-34 degree slope)



### READY TO ORDER?

Fill out the DesignRail® Classic Kit Order Checklist on **page 34** and take it to your local dealer:  
[feeneyinc.com/dealer-locator/](https://feeneyinc.com/dealer-locator/)

# DESIGN·RAIL MODERN

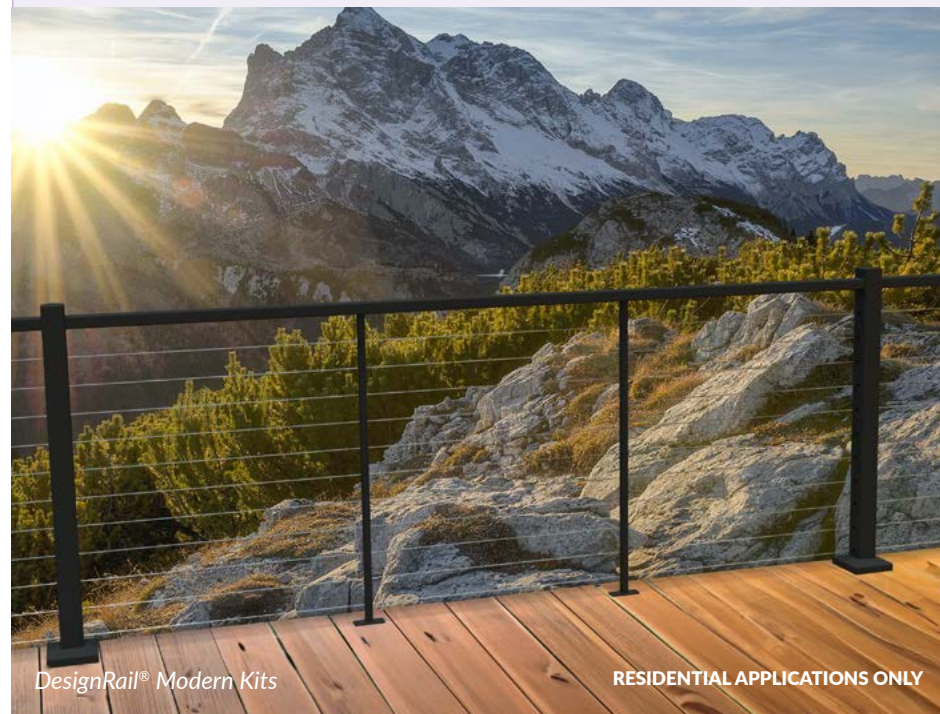
## Modular Aluminum Kits with CableRail

Looking for a quick solution with a more open view? Pick DesignRail® Modern for extra options! Rail Kits for 36-inch railings span 6 feet with one intermediate picket or 8 feet with 2 pickets; 42-inch Rail Kits span 6 feet. Sleek new Series 250 Top Rail meets graspable handrail meets building code requirements for residential stairs. Optional Drink Rail Adapter for level railing sections. Level and stair solutions available.



### MODERN KITS ARE IN STOCK AT YOUR LOCAL DEALER:

- RESIDENTIAL APPLICATIONS ONLY
- 6' AND 8' FRAMES FOR 36" RAILINGS,  
6' FRAMES FOR 42" RAILINGS
- POWDER-COATED FRAME: BLACK/TEXTURED BLACK
- BASE MOUNTED POSTS
- HORIZONTAL CABLERAIL WITH NO BOTTOM RAIL
- SERIES 250 GRASPABLE TOP RAIL FOR LEVEL OR STAIR
- HIDDEN FASTENERS
- OPTIONAL DRINK RAIL ADAPTER



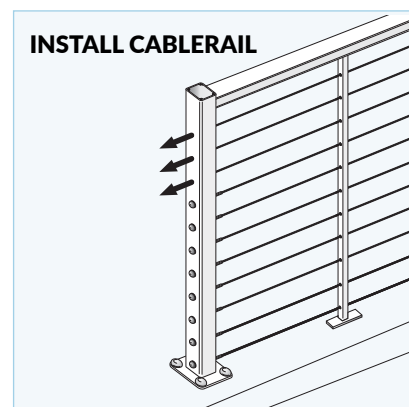
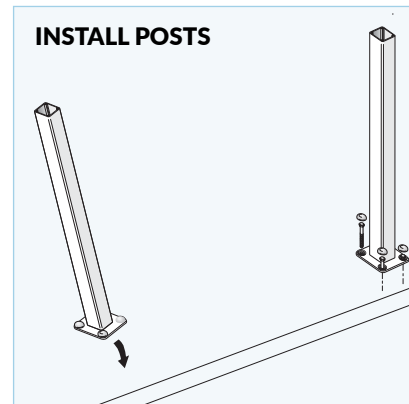
DesignRail® Modern Kits

RESIDENTIAL APPLICATIONS ONLY



Full product details and installation instructions can be found on our website:  
[feeneyinc.com/product/Design-Rail-Modern](https://feeneyinc.com/product/Design-Rail-Modern)

### Installation is easy!



All DesignRail® Modern Kit components are engineered for **easy installation** that **snap and screw together**. Posts and rails are manufactured from 6000 series aluminum and feature AAMA-2604 powder-coated finishes for long lasting beauty and durability. Each railing project will require specific quantities and types of kits and parts depending on the configuration of your layout.

### Modern Rail Kits

Level Rail Kits are available in 6-ft or 8-ft for 36-in railings, and 6-ft for 42-in railings.

Stair Rail Kits are available in 6-ft or 8-ft for 36-in stair railings.

SEE ASSEMBLY DIAGRAMS ON PAGE 23

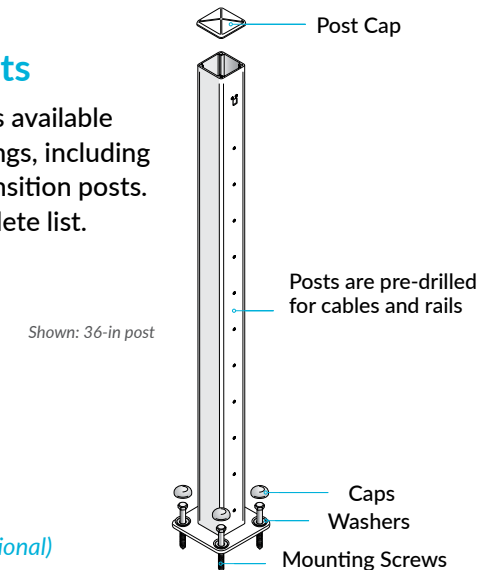
### Drink Rail Adapter (optional)

Use to attach a wood or composite drink rail on level railing sections.



### Modern Post Kits

12 post configurations available for level and stair railings, including three level to stair transition posts. See page 36 for complete list.



### Base Plate Covers (optional)

These easy-to-install 2-piece covers conceal the lag screw heads and post base plates to give the railing a beautiful finishing touch.

### DesignRail® Modern Kits Features

**SERIES 250 TOP RAIL**  
Top rail profile for level and stairs, installs between posts, meets residential handrail graspability code requirements. *Top Rail details: page 29*

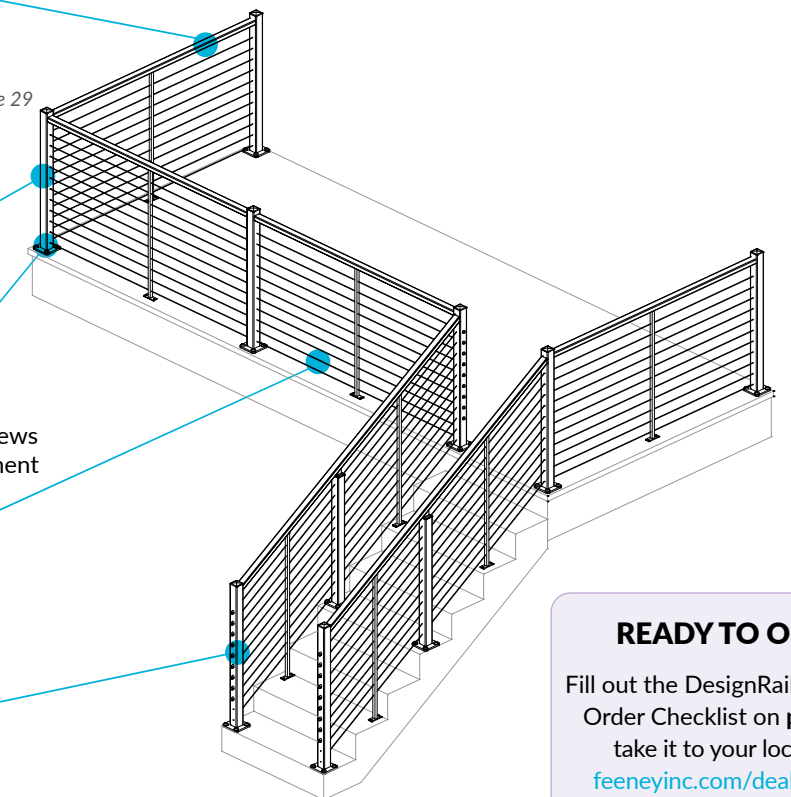
**DRINK RAIL ADAPTER (optional)**

**MULTIPLE POST DESIGNS**  
Single Corner, 45 Degree, and Blank posts available to fit any project

**BASE MOUNTED POSTS**  
Durable 3/8" thick base plate with fully-threaded stainless steel lag screws provide a strong and secure attachment (*lag screws included*)

**CABLERAIL INFILL WITH NO BOTTOM RAIL**  
(CableRail Kits sold separately)

**PRE-DRILLED POSTS**  
Makes it easy to install CableRail infill in level and stair railings (29-34 degree slope)

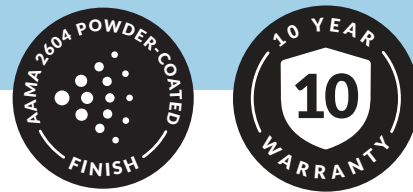


### READY TO ORDER?

Fill out the DesignRail® Modern Kit Order Checklist on page 36 and take it to your local dealer:  
[feeneyinc.com/dealer-locator/](https://feeneyinc.com/dealer-locator/)

# DESIGN·RAIL® CUSTOM

## Customizable Aluminum Railing System



If you want a unique railing as distinct as you are, look no further than DesignRail® Custom! We build your railing to your specifications. It's your masterpiece that we manufacture specifically for you.

We have so many options to customize your railing! On-trend and traditional colors, tons of infill options you can mix and match and top it all off with your choice of top rail. Our expert staff are on hand to offer technical assistance and railing design advice. Try out our Visual Builder to play around with all the possibilities in 3D: [feeneyinc.com/visual-builder/](https://feeneyinc.com/visual-builder/)

### DESIGNRAIL® CUSTOM IS MADE TO ORDER

- RESIDENTIAL OR COMMERCIAL APPLICATIONS
- 4' TO 6' FRAMES FOR 36" AND 42" RAILINGS
- POWDER-COATED FRAME: 15 COLOR OPTIONS
- 4 STANDARD MOUNTING OPTIONS
- MULTIPLE INFILL OPTIONS, MIX AND MATCH
- 4 TOP RAIL OPTIONS IN 18 COLORS
- OPTIONAL HANDRAILS FOR STAIRS
- CUSTOM GATES AVAILABLE
- LED LIGHTING AVAILABLE
- CONCIERGE SERVICE WITH EVERY ORDER



DesignRail® Custom in Bronze with Horizontal CableRail, Code-Compliant Handrail, and wood cap rail

RESIDENTIAL & COMMERCIAL APPLICATIONS



Full product details and installation instructions can be found on our website [feeneyinc.com/product/Design-Rail-Custom](https://feeneyinc.com/product/Design-Rail-Custom)

### READY TO ORDER?

Fill out the DesignRail® Custom RFQ on page 38 and take it to your local dealer: [feeneyinc.com/dealer-locator/](https://feeneyinc.com/dealer-locator/)

## Build Your Frame

DesignRail® Custom combines the durability of aluminum with innovative design details. All rails and posts are made from high strength 6000-series aluminum extrusions with AAMA 2604 powder-coated finishes that can be cut and assembled on site using pre-engineered components that snap and screw together with stainless steel fasteners.

Posts are made from 2<sup>3</sup>/<sub>8</sub>-in square tube extrusions in three distinct cross-sectional profiles: Standard, Commercial Base Mount, and Heavy Duty. Each is specially engineered to provide optimal structural strength and design performance for specific usage and load conditions. The Feeney customer service team will determine which posts are required depending on the type of project and the railing design options selected.

### Choose your railing height

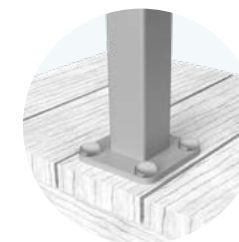
DesignRail® Custom has three standard heights available: 36-in, 39-in, and 42-in. Posts come pre-cut for level railings in one of these standard heights. Stair and custom posts must be cut to height in the field.



*Building codes in your area may require your rails to meet a minimum height. Consult your contractor to understand local building codes when choosing a height for your project. Custom heights available.*

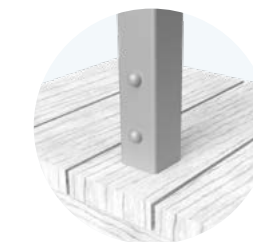
### Choose your mounting type

Posts can be mounted in one of four ways. See page 28 for mounting details.



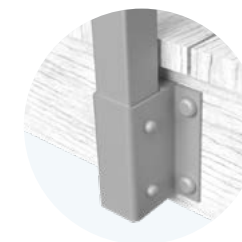
#### BASE MOUNT

For mounting to deck, patio, floor, or stair tread surfaces. Base plates come pre-attached to posts for easy installation.



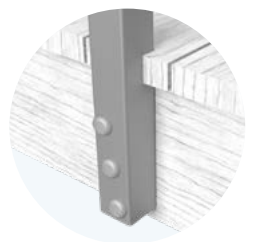
#### STANCHION MOUNT

For mounting to stone or tile covered concrete slabs or on roof decks where penetration of waterproof roofing membranes must be minimized.



#### FASCIA BRACKET MOUNT

For side mounting to fascia or rim joists with a metal bracket when decking or nosing trim extends beyond the fascia board.



#### FASCIA MOUNT

For side mounting to fascia boards, joists or walls. Posts come with pre-drilled bolt holes.

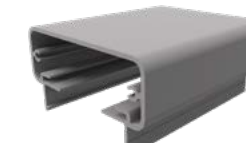
### Choose your Top Rail style

Top Rails come in 4 styles and are sold in 10 and 20 foot lengths that can be trimmed to size in the field. Graspable Top Rails (Series 150) are attached in between posts using Rail Connecting Brackets (RCBs). Rectangular, Elliptical, and Low-Profile Top Rails (Series 200, 350, & 450) rest on top of the posts and are secured with stainless steel screws. See page 29 for details.

Hand Rails with extensions are available to meet code hand rail requirements (see page 32 for handrail details).



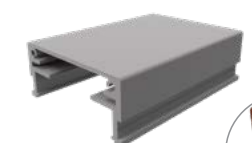
#### GRASPABLE SERIES 150



#### RECTANGULAR SERIES 200



#### ELLIPTICAL SERIES 350



#### LOW-PROFILE SERIES 450

(can be used with wood or composite cap rail, NOT INCLUDED)



SEE ASSEMBLY DIAGRAM ON PAGE 24

# Horizontal CableRail

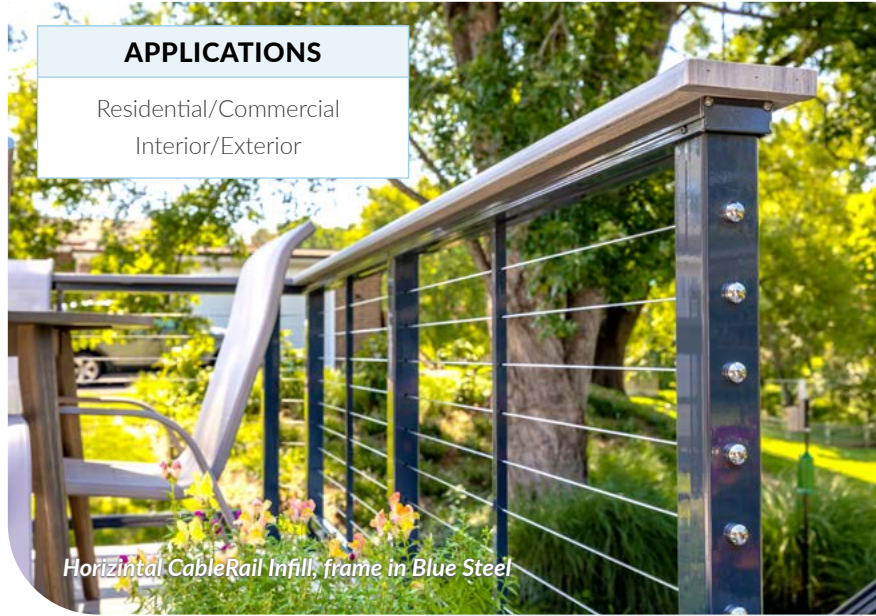
Make your railing view-friendly with the original stainless steel cable infill.

Horizontal CableRail is made from 316-grade stainless steel and includes all of the attachment fittings for easy installation. It can be used with or without a bottom rail. All DesignRail® posts and pickets arrive pre-drilled to maintain proper cable spacing.

Choose between CableRail Standard Kits in 1/8-in or 3/16-in cable diameters, or our lower-profile CableRail 1/8" Conceal Kits to suit your style. Feeney estimators can assist with frame design to maximize cable runs while ensuring safe cable tension loads.

Posts are spaced a maximum of 6-ft apart, and a 3/4" square powder-coated vertical intermediate picket is used mid-span to minimize cable deflection.

Horizontal CableRail can be used with Top Rail profiles 150, 200, 350, and 450 and can be used in Custom Gates. Compatible with Post Accent Lights, LED Top and Bottom Rail Lighting, Stainless Steel Pickets, and Handrails.



**APPLICATIONS**  
Residential/Commercial  
Interior/Exterior

Horizontal CableRail Infill, frame in Blue Steel



Learn more about Horizontal CableRail on our website.

## DESIGN OPTIONS



with No Bottom Rail



with Bottom Rail



with No Bottom Rail & Intermediate Rail



with Bottom Rail & Intermediate Rail

Design your dream railing!  
[feeneyinc.com/VisualBuilder](https://feeneyinc.com/VisualBuilder)

SEE ASSEMBLY DIAGRAM ON PAGE 25

# Vertical CableRail

Experience a distinctive twist on traditional cable railing - a sleek, open infill option.

Vertical CableRail is made from 316-grade stainless steel and includes all of the attachment fittings ready to install between top and bottom rails.

1/8" diameter stainless steel cables come prefabricated to size with all of the attachment fittings, ready to install.

Posts are spaced a maximum of 6-ft apart, and vertical intermediate pickets are spaced every 5 to 6 cables to maximize frame rigidity. This is very important because pickets act as compression members to counteract the cable tension on the top and bottom rail, reducing top and bottom rail deformation.

Vertical CableRail can be used with Top Rail profiles 150, 200, 350, and 450 and can be used in Custom Gates. Compatible with Post Accent Lights, Stainless Steel Pickets, and Handrails.



**APPLICATIONS**  
Residential/Commercial  
Interior/Exterior

Vertical CableRail Infill, frame in Black

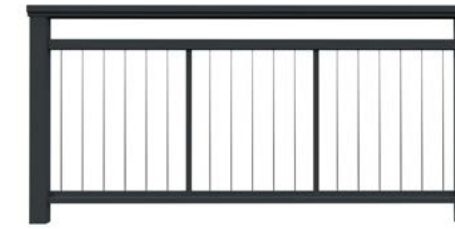


Learn more about Vertical CableRail on our website.

## DESIGN OPTIONS



no Intermediate Rail



with Intermediate Rail

**READY TO ORDER?**  
Fill out the DesignRail® Custom RFQ on **page 38** and see your local dealer:  
[feeneyinc.com/dealer-locator/](https://feeneyinc.com/dealer-locator/)

# Vertical Pickets

Traditional, elegant aluminum pickets give a classic look to your railing, powder coated to match the frame.

Vertical Picket infill is made up of 3/4" square aluminum pickets powder-coated to match the frame color. Infill is available in pre-assembled panels that can be trimmed to width in the field.

Each picket is secured to the top rail insert and bottom rail with screws for strength and durability. This eliminates unsightly welding joints with a clean, secure connection.

Picket panels come in 6-ft panels for 36" railings, and 5-ft lengths for 39" and 42" railings.

Vertical Pickets can be used with Top Rail profiles 150, 200, 350, and 450 and can be used in Custom Gates. Compatible with LED Bottom Rail Lighting, Post Accent Lights, and Handrails.

## DESIGN OPTIONS



no Intermediate Rail



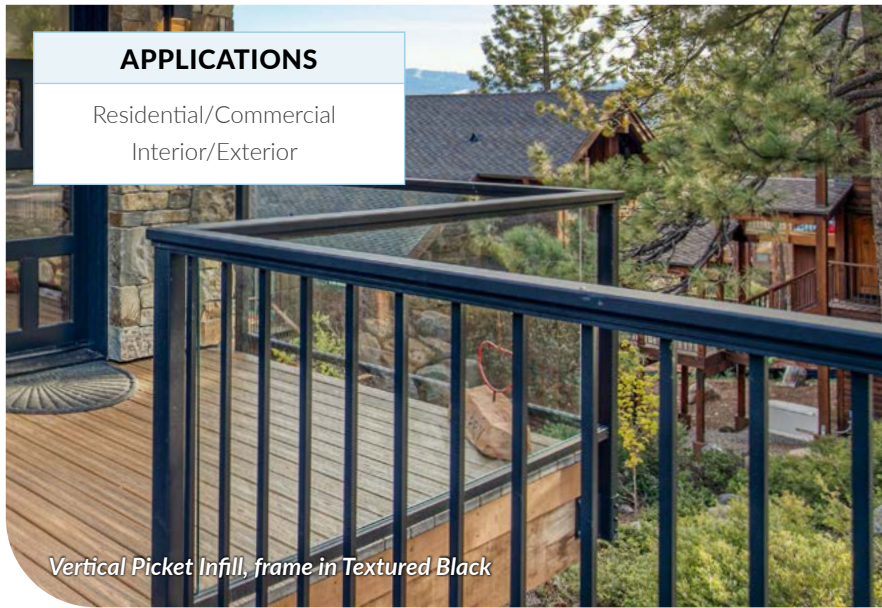
with Intermediate Rail

### READY TO ORDER?

Fill out the DesignRail® Custom RFQ on **page 38** and see your local dealer:

[feeneyinc.com/dealer-locator/](http://feeneyinc.com/dealer-locator/)

SEE ASSEMBLY DIAGRAM ON PAGE 25



Vertical Picket Infill, frame in Textured Black



AVAILABLE IN 18 POWDER-COATED ALUMINUM COLORS  
See page 20 for more details.



Learn more about Vertical Picket on our website.

# Tempered Glass

Sleek and durable, our tempered glass panels create a semi-transparent barrier to subtly divide your space.

Fully tempered glass panels can be 1/4" or 3/8" thick, either clear or custom tinted. Satin finish available upon request.

Glass panels are easily insert into vinyl lined slots in the Top Rail and Bottom Rail; no special mounting hardware needed. The panels are pre-cut to fit the final opening measurements.

Glass panel widths are dependent on wind loading calculations.

Tempered Glass panels can be used with Top Rail profiles 150, 200, 350, and 450 and can be used in Custom Gates. Compatible with LED Bottom Rail Lighting, Post Accent Lights, and Handrails.

## DESIGN OPTIONS



no Intermediate Rail



with Intermediate Rail

SEE ASSEMBLY DIAGRAM ON PAGE 26



Glass Panel Infill, frame in Bright White



AVAILABLE IN 18 POWDER-COATED ALUMINUM COLORS  
See page 20 for more details.



Learn more about Tempered Glass on our website.



Design your dream railing!  
[feeneyinc.com/VisualBuilder](http://feeneyinc.com/VisualBuilder)

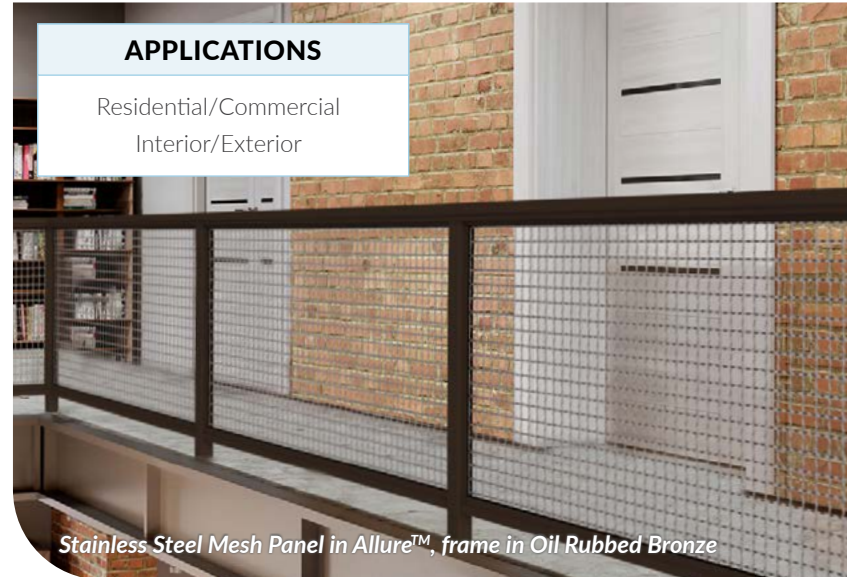
# Stainless Steel Mesh

The perfect balance of substance and visibility, our marine-grade stainless steel mesh panels elevate any indoor or outdoor area.

This stylishly modern panel infill is made from polished and passivated 316 stainless steel. Multiple wire patterns are available with a variety of diameters, crimp patterns, and spacing.

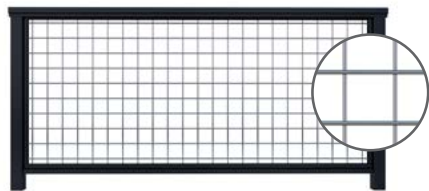
Stainless Steel Mesh Panels come in 6-ft panels for 36" railings, and 5-ft lengths for 42" railings. Mesh panels are field trimmable using straight edge and angle grinder with cut-off wheel.

Mesh panels can be used with Top Rail profiles 150, 200, 350, and 450 and can be used in Custom Gates. Compatible with Post Accent Lights and Handrails.

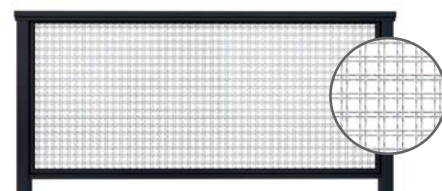


Learn more about Stainless Steel Mesh on our website.

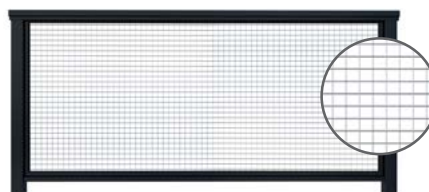
## DESIGN OPTIONS



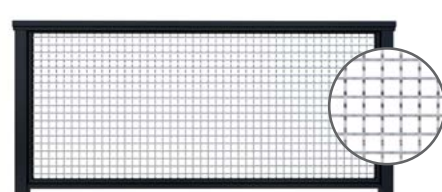
**Horizon™**  
Traditional welded wire with a 3" opening to open up your views with a modern industrial look.



**Dazzle™**  
Basket press 1" mesh creates a 3-dimensional texture that is reminiscent of age-old weave craft.



**Metropolitan™**  
Tight mesh pattern with a 3/4" opening and a smooth lock crimp creates a sleek centerpiece of interlocking metal wire.



**Allure™**  
Paired 1 1/2" wires allow more visibility with double the strength. Classic mesh design with an added design feature for texture and strength.

### READY TO ORDER?

Fill out the DesignRail® Custom RFQ on **page 38** and see your local dealer:

[feeneyinc.com/dealer-locator/](http://feeneyinc.com/dealer-locator/)



Design your dream railing!  
[feeneyinc.com/VisualBuilder](http://feeneyinc.com/VisualBuilder)

SEE ASSEMBLY DIAGRAM ON PAGE 26

# Laser-Cut Aluminum

Strong and sophisticated, these precision manufactured panels turn your railing into a centerpiece.

This sleek, eye-catching infill is made from 3/16" thick aluminum panels. Feeney has engineered 9 patterns to choose from - or design your own with the assistance of our drafting and design team.

Laser-Cut Aluminum comes in 6-ft panels for 36" railings, and 5-ft lengths for 39" and 42" railings.

Laser-Cut Aluminum panels can be used with Top Rail profiles 150, 200, 350, and 450 and can be used in Custom Gates. Compatible with Post Accent Lights and Handrails.



Learn more about Laser-Cut Aluminum on our website.

## DESIGN OPTIONS



**Cypher®**  
Modern, streamlined design utilizing a series of dots and lines to create a constant code within the frame that is visually soothing.



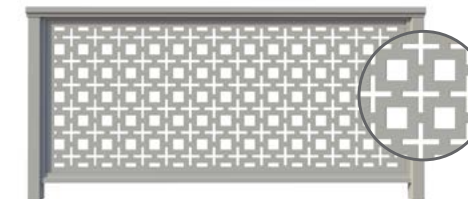
**Pisces®**  
The art deco styled arches of Pisces® create a bold geometric design reminiscent of the roaring 1920s - elegant yet lively.



**Seagrass®**  
Inspired by nature, Seagrass® pattern gives the feeling of grass blowing in the breeze or the lazy tug and pull of kelp under the waves.



**Trillium®**  
Playfully cultivated, Trillium® reminds one of seeds ready to burst with flowers and coffee beans ready to roast.



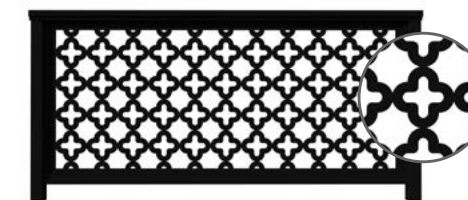
**Bound®**  
Clean and clear-cut, Bound® expresses technically concise Swiss precision and order in this detailed grid design.



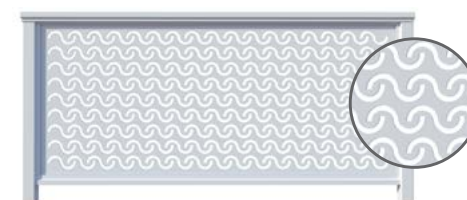
**Cubist®**  
Bold, interlocking geometric lines define and focus both the vertical and horizontal aspects of the railing frame.



**Sverra®**  
Inspired by nature, Sverra® gives the feeling of grass blowing in the breeze or the lazy tug and pull of kelp under the waves.



**Agama®**  
Reminiscent of Saltillo Spanish tiles, Agama® bestows the style of European baroque architectural ornamentation.



**Torrent®**  
Torrent® conjures visions of ocean waves cresting and calm currents created by shifting winds and waves.

SEE ASSEMBLY DIAGRAM ON PAGE 27

# Resin Panels

Gorgeous organic materials embedded in durable, stylish resin produced by 3form – a leader in architectural materials.

Resin panels are 1/4" thick and have organic materials embedded with a sandstone finish on both sides that lends a subtle texture. Resin panels are lightweight (half the density of glass) which makes for easier installation. They have excellent chemical resistance which reduces potential harm incurred by cleaning agents

Panels contain SCS-certified recycled content that count toward LEED credits for building sustainability. They are also GREENGUARD Indoor Air Quality Certified and Underwriters Laboratories registered.

Resin Panels come in 5-ft panels and are field trimmable using straight edge and saw.

Organic Resin panels can be used with Top Rail profiles 150, 200, 350, and 450 and can be used in Custom Gates. Compatible with Post Accent Lights and Handrails.

SEE ASSEMBLY DIAGRAM ON PAGE 27



Learn more about Resin Panel Infill on our website.

## DESIGN OPTIONS



**Kathali Grays**  
Kathali is inspired by the Nepalese method of painting aromatic shavings.



**Thatch 50%**  
Densely layered reeds that are peppered with spots of black at their knuckles.



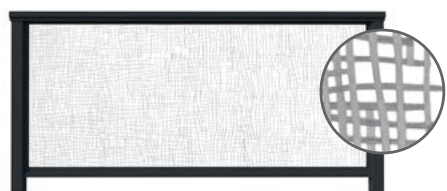
**Bear Grass Lite**  
This stout, woody, tactile perennial is a visual feast generating strength and serenity.



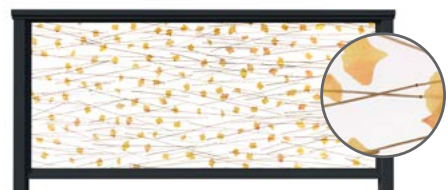
**Ting Ting**  
Lyrical and light brushstrokes of grass reeds add natural beauty to a room



**Rice Grass**  
Floret blooms hang from slender blades to create delicate spaces for light to shine.



**Connection Gray**  
Cell-like shapes in a neutral grid suggest the time-honored tradition of harvesting silk.



**Ginkgo Thatch**  
A vibrantly cheerful modern take on the serene beauty of floral leaves and reeds.



**Fossil Leaf**  
The skeletal beauty of leaves are used to transform light into a soothing composition.



**Bamboo Rings**  
Inspired by nature, Bamboo is cut and arranged into a visually pleasing motif.

# Customize with ColorEasy™

Bring your vision to life with ColorEasy™ featuring 18 different colors from traditional to trendy. Durable, powder-coated finishes adhere to AAMA-2604 coating specifications for superior color retention, impact resistance, and weather protection. Mix and match colors for a truly custom railing.



FOR DESIGNRAIL® FRAMES, LASER-CUT ALUMINUM PANELS, AND ALUMINUM PICKETS



BRIGHT WHITE

MODERN WHITE

COFFEE CREAM



SILVER

DOVE GRAY

IRON GRAY



BLUE STEEL

BLACK

TEXTURED BLACK



SPARKLING CHAMPAGNE

BRONZE

OIL RUBBED BRONZE



BRICKYARD RED

COMMODORE BLUE

HARTFORD GREEN

SERIES 150 OR 200 DESIGNRAIL® TOP RAILS ONLY



CHERRY

WEATHERED GRAY

WALNUT



Design your dream railing!  
[feeneyinc.com/VisualBuilder](http://feeneyinc.com/VisualBuilder)

### NEED SAMPLES?

Feeney has partnered with Swatchbox to get samples quickly to your door.

[swatchbox.com/pro/manufacture/feeney](http://swatchbox.com/pro/manufacture/feeney)



# Upgrade Your Custom Railing



### CUSTOM GATES

Powder-coated aluminum gates are pre-welded with easy to install gate hardware; locks available. Compatible with all infill types and top rails to match your railing design. *See page 31 for details.*

*Shown at left: Custom Gate in Modern White with Stainless Steel Mesh in Allure™ (inset: close-up of gate latch)*



### LED RAIL LIGHTING & POST ACCENT LIGHTS

Feeney LED Rail Lighting is a versatile, linear strip light that provides high output lighting for indoor and outdoor applications.

Post Accent Lights create a beautiful down light, especially on stairs. These accent lights are housed in a decorative aluminum sconce with a durable powder-coated finish that matches the frame. *See page 30 for all Lighting details.*

*Shown at left: LED Top and Bottom Rail Lighting, frame in Silver with wood cap rail; inset: Post Accent Light, frame in Silver*



### CODE-COMPLIANT HANDRAILS

Powder-coated aluminum hand rails are 1-1/2" diameter, pre-welded with easy to install hardware. Custom bent and fabricated returns, ready to assemble with splice tubes. An ADA compliant option for stairs or ramps.

*See page 32 for details.*

*Shown at left: Code Compliant Handrail, frame in Bronze (inset: close-up of handrail attachment)*

### UPGRADES FOR DESIGNRAIL® WITH CABLERAIL

#### STAINLESS STEEL INTERMEDIATE PICKETS

A sleek alternative to square intermediate pickets! These slender, 5/8" diameter tubular pickets are made from 316 stainless steel and come pre-drilled for DesignRail® Custom with CableRail. Compatible with all railing heights, Top Rail profiles, and all mounting options.

#### STAINLESS STEEL END CAPS

Finish your railing with Dome, Chamfer, or Crown style end caps for a sleek modern look.



*Stainless Steel Intermediate Pickets, frame in black (inset: Stainless Steel End Caps)*

# Choosing The Right DesignRail® for You

Not sure which DesignRail® option is right for you? Here are some points to consider:

	DesignRail® Classic Kits	DesignRail® Modern Kits	DesignRail® Custom
<b>Delivery Time</b>	Same day at your local dealer (1-2 days if not stocked)	Same day at your local dealer (1-2 days if not stocked)	Ships in 3-6 weeks (variable)
<b>Application</b>	Residential	Residential	Residential/Commercial
<b>Heights</b>	Level: 36" or 42" / Stair: 36"	Level: 36" or 42" / Stair: 36"	36", 39", 42" and custom heights
<b>Post Spacing</b>	6' only	6' or 8' for 36" (Level/Stair) 6' for 42" (Level)	4' to 6' only (depending on project parameters)
<b>Mounting</b>	Base Mount w/ Lags (mounting hardware included)	Base Mount w/ Lags (mounting hardware included)	All Mounting Options (mounting hardware included)
<b>Infill</b>	1/8" CableRail Kits with Bottom Rail	1/8" CableRail Kits with <b>No Bottom Rail</b>	All Infill Options
<b>Top Rail</b>	Series 150	Series 250 (with Drink Rail option)	Series 150, 200, 350, 450
<b>Bottom Rail</b>	Yes	No	Depends on infill
<b>Color</b>	Black, Textured Black	Black, Textured Black	15 Frame Colors Plus 3 Wood Grain Top Rail colors for Series 150 and 200 Top Rail



DesignRail® Classic Kits



DesignRail® Modern Kits



DesignRail® Custom

# Railing Assembly Diagrams

DesignRail® components are designed to snap and screw together easily in the field. Components and assembly vary by product line and infill option. More technical details can be found on our website: [feeneyinc.com/technical-information](http://feeneyinc.com/technical-information)

## DesignRail® Modern Kits

### MODERN KIT COMPONENTS

#### 1 Modern Post Kit

- 1a POST CAP
- 1b POST (Base Plate attached)
- 1c BASE PLATE CAPS

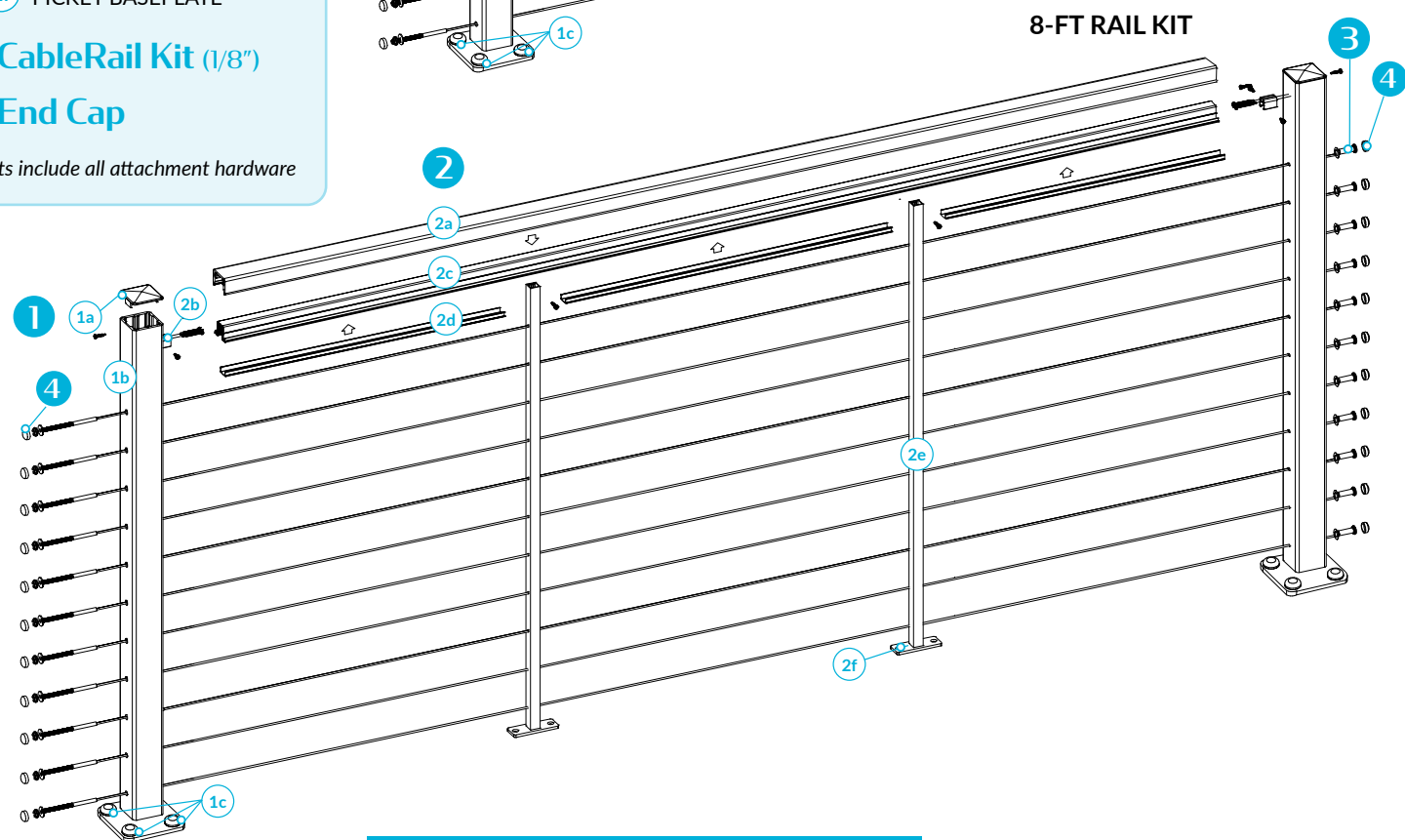
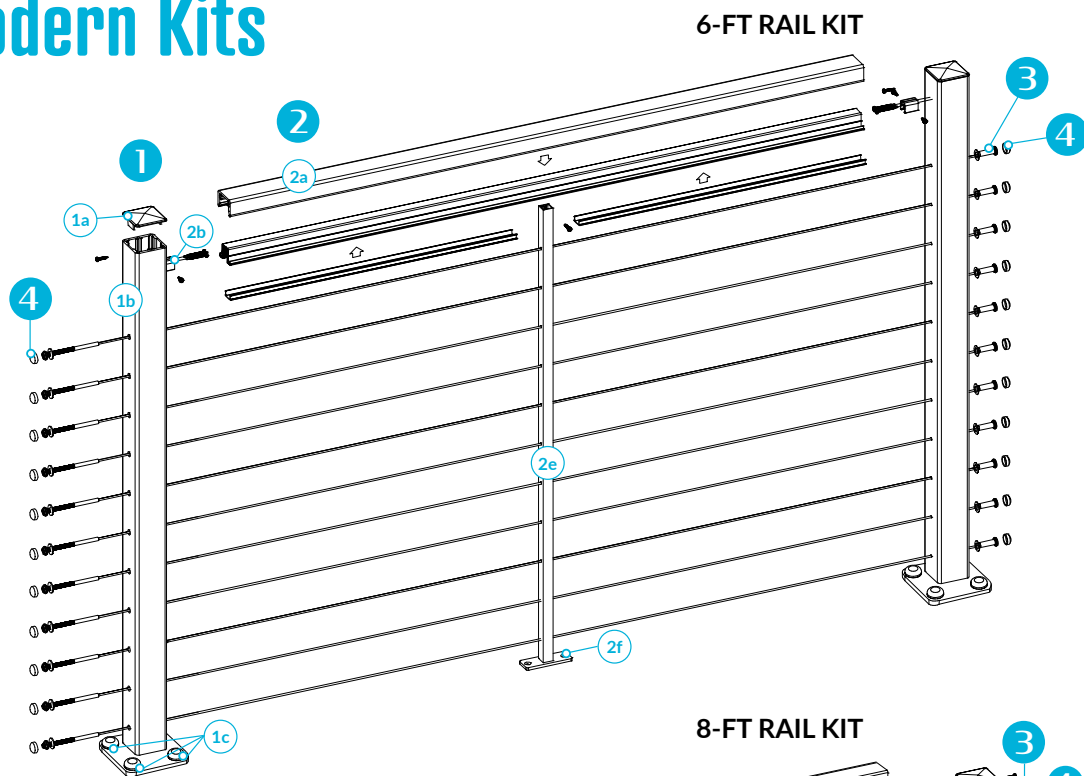
#### 2 Modern Rail Kit

- 2a 250 TOP RAIL
- 2b TOP RAIL BRACKET
- 2c TOP RAIL INSERT
- 2d CLOSURE STRIP
- 2e INTERMEDIATE PICKET
- 2f PICKET BASEPLATE

#### 3 CableRail Kit (1/8")

#### 4 End Cap

Kits include all attachment hardware



## DesignRail® Classic Kits

### CLASSIC KIT COMPONENTS

#### 1 Classic Post Kit

- 1a POST CAP
- 1b POST (Base Plate attached)
- 1c BASE PLATE CAPS

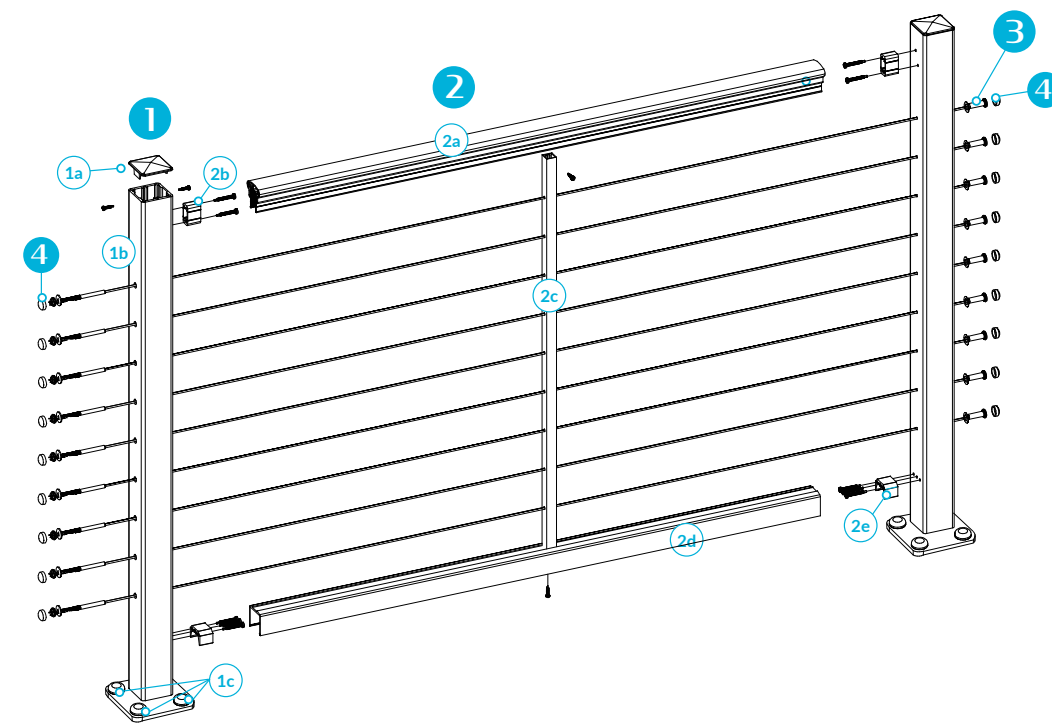
#### 2 Classic Rail Kit

- 2a 150 TOP RAIL
- 2b TOP RAIL BRACKET
- 2c INTERMEDIATE PICKET
- 2d BOTTOM RAIL
- 2e BOTTOM RAIL BRACKET

#### 3 CableRail Kit (1/8")

#### 4 End Cap

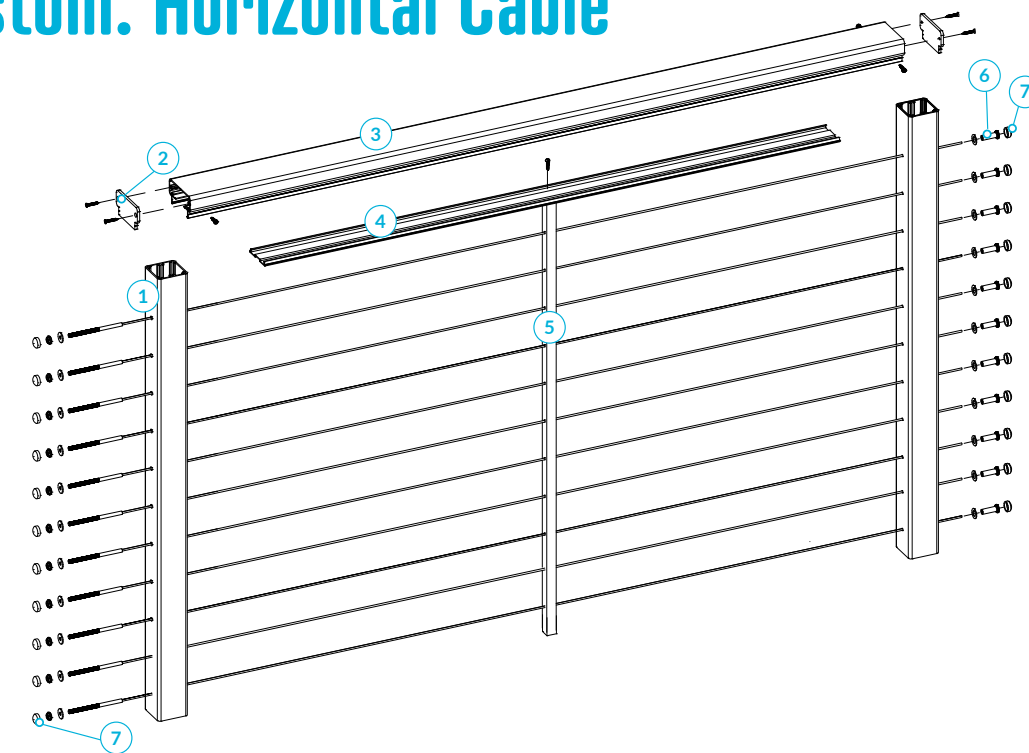
Kits include all attachment hardware



## DesignRail® Custom: Horizontal Cable

### HORIZONTAL CABLE RAILING COMPONENTS

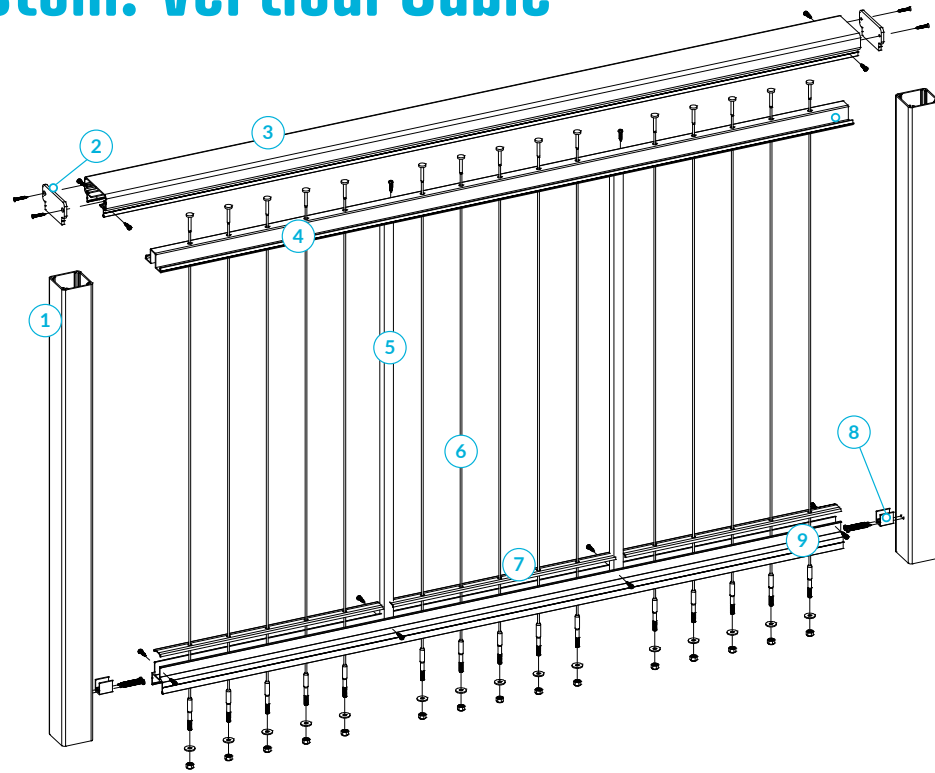
- 1 Termination Post
- 2 Top Rail End Plate
- 3 Top Rail (Series 200 shown)
- 4 Top Rail Insert
- 5 Intermediate Picket
- 6 CableRail Kit (1/8")
- 7 End Cap



## DesignRail® Custom: Vertical Cable

### VERTICAL CABLE RAILING COMPONENTS

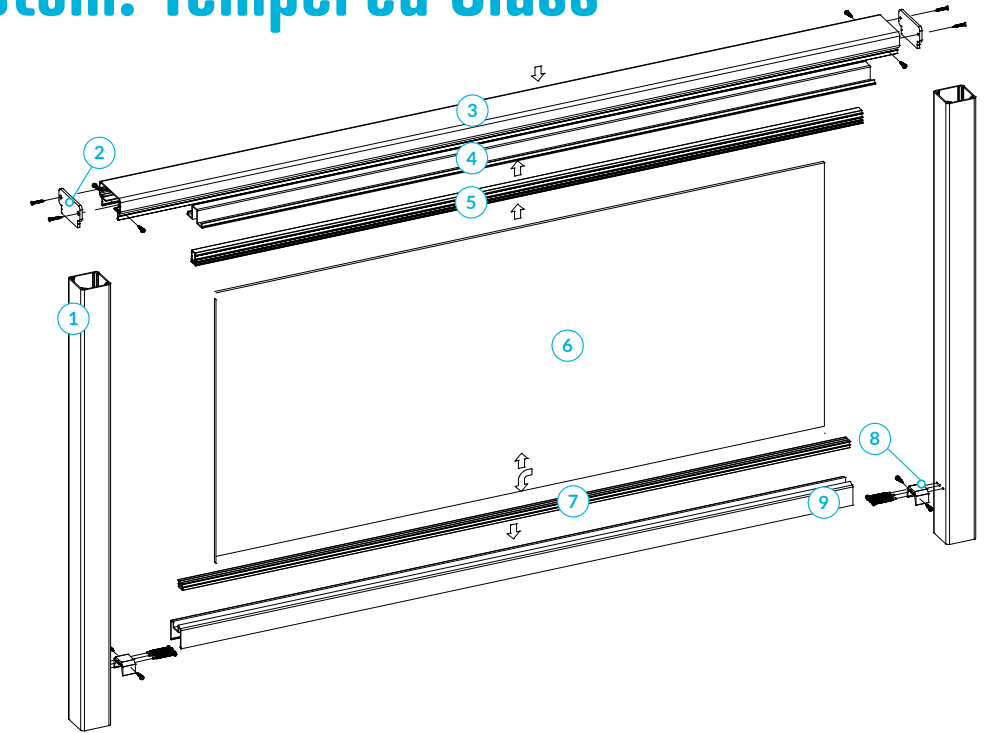
- 1 Termination Post
- 2 Top Rail End Plate
- 3 Top Rail (Series 200 shown)
- 4 Top Rail Insert
- 5 Intermediate Picket
- 6 Vertical Cable Assembly
- 7 Snap Cap
- 8 Bottom Rail Bracket
- 9 Bottom Rail



## DesignRail® Custom: Tempered Glass

### TEMPERED GLASS RAILING COMPONENTS

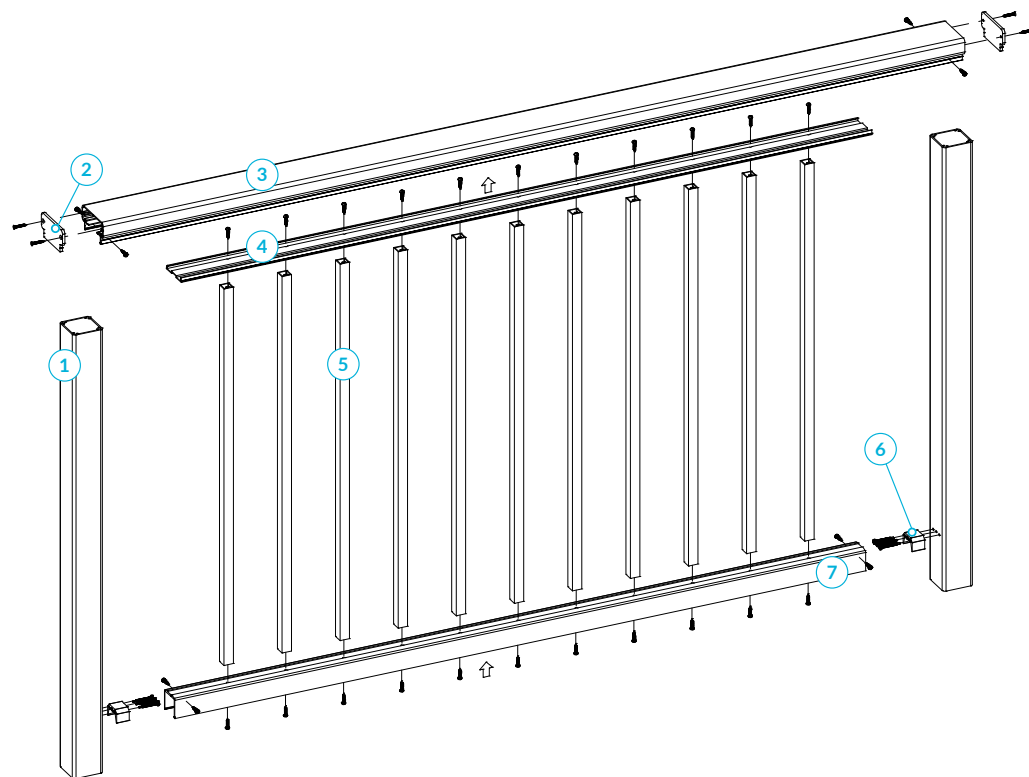
- 1 Termination Post
- 2 Top Rail End Plate
- 3 Top Rail (Series 200 shown)
- 4 Top Rail Insert
- 5 Top Vinyl
- 6 Glass Panel
- 7 Bottom Vinyl
- 8 Bottom Rail Bracket
- 9 Bottom Rail



## DesignRail® Custom: Vertical Pickets

### VERTICAL PICKET RAILING COMPONENTS

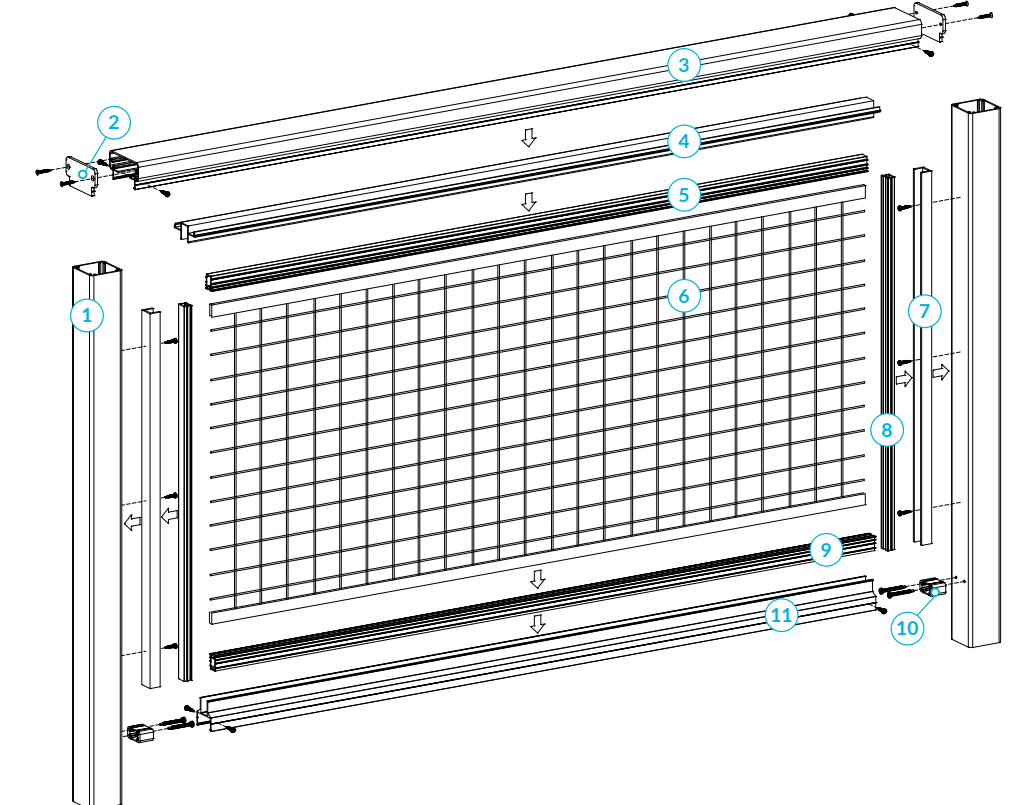
- 1 Termination Post
- 2 Top Rail End Plate
- 3 Top Rail (Series 200 shown)
- 4 Top Rail Insert
- 5 Pickets
- 6 Bottom Rail Bracket
- 7 Bottom Rail



## DesignRail® Custom: Stainless Steel Mesh

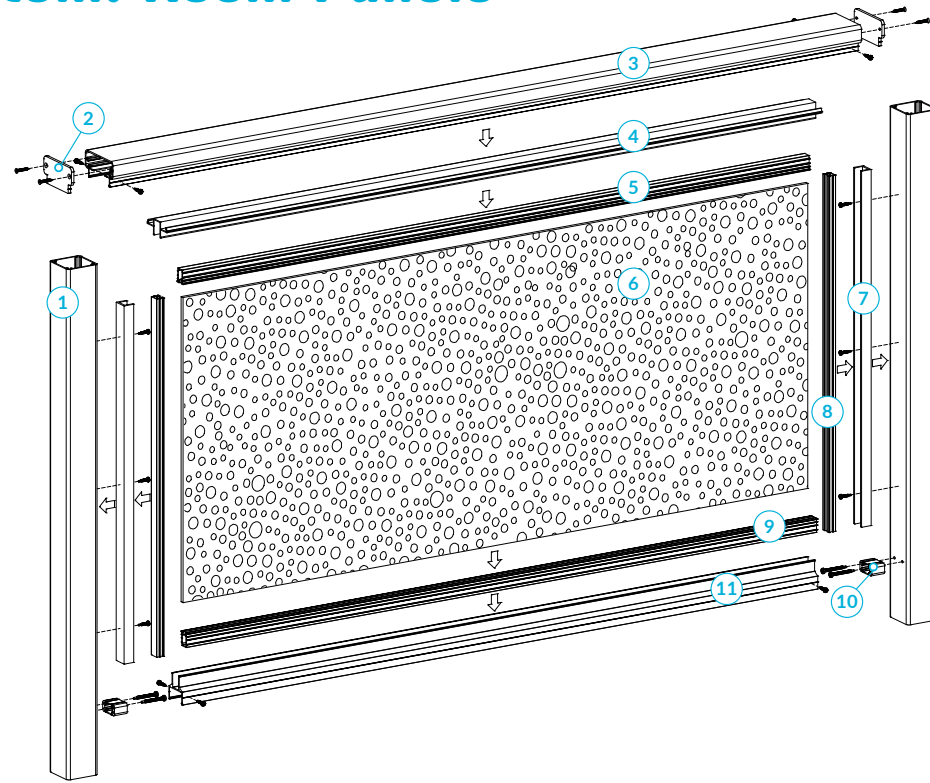
### SS MESH PANEL RAILING COMPONENTS

- 1 Termination Post
- 2 Top Rail End Plate
- 3 Top Rail (Series 200 shown)
- 4 Top Rail Insert
- 5 Top Vinyl
- 6 Mesh Panel
- 7 Side Channel
- 8 Side Vinyl
- 9 Bottom Vinyl
- 10 Bottom Rail Bracket
- 11 Bottom Rail



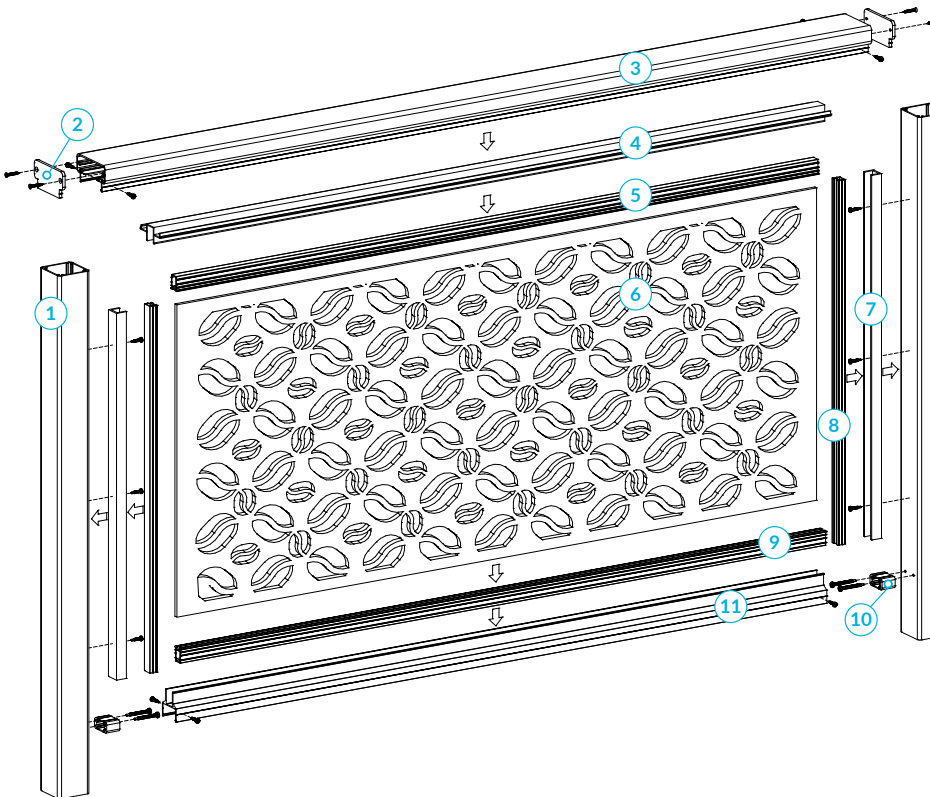
# DesignRail® Custom: Resin Panels

- RESIN PANEL RAILING COMPONENTS**
- 1 Termination Post
  - 2 Top Rail End Plate
  - 3 Top Rail (Series 200 shown)
  - 4 Top Rail Insert
  - 5 Top Vinyl
  - 6 Resin Panel
  - 7 Side Channel
  - 8 Side Vinyl
  - 9 Bottom Vinyl
  - 10 Bottom Rail Bracket
  - 11 Bottom Rail



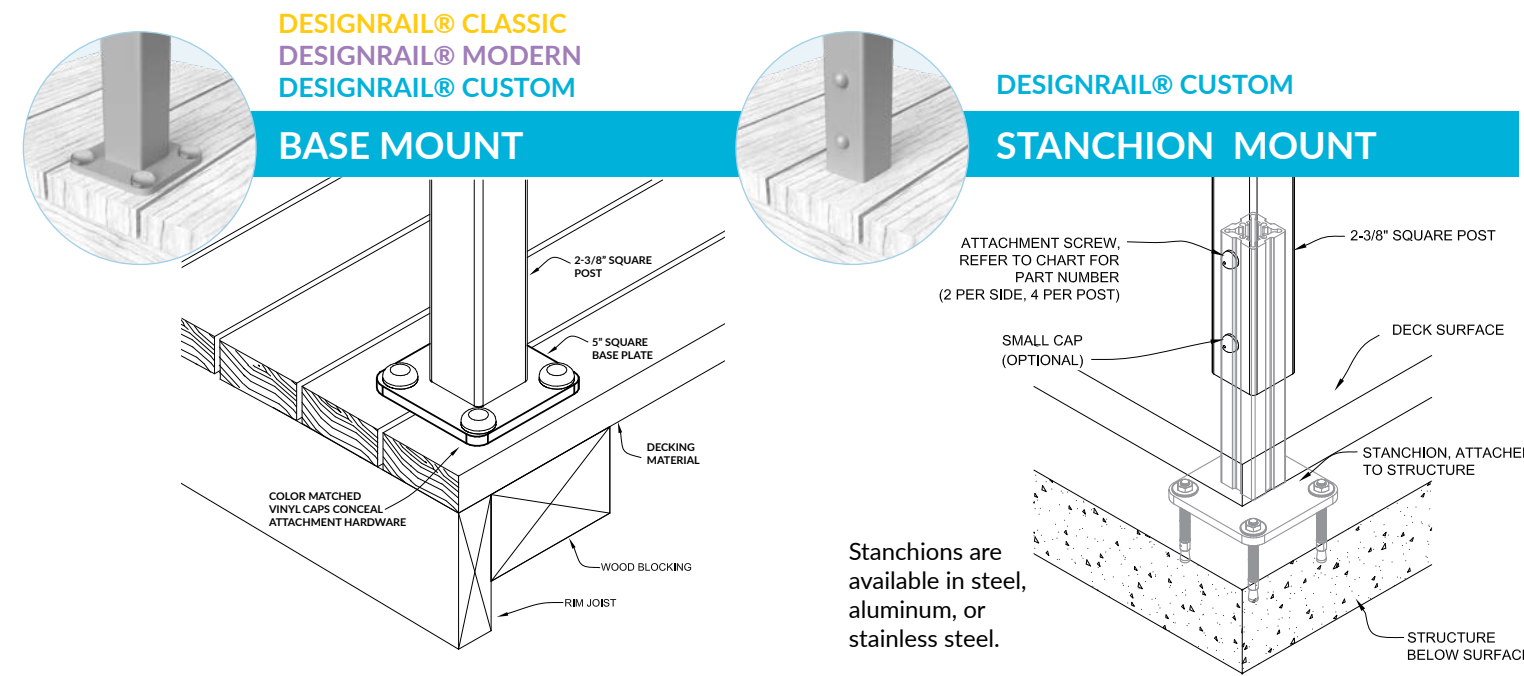
# DesignRail® Custom: Laser-Cut Aluminum

- ALUMINUM PANEL RAILING COMPONENTS**
- 1 Termination Post
  - 2 Top Rail End Plate
  - 3 Top Rail (Series 200 shown)
  - 4 Top Rail Insert
  - 5 Top Vinyl
  - 6 Aluminum Panel
  - 7 Side Channel
  - 8 Side Vinyl
  - 9 Bottom Vinyl
  - 10 Bottom Rail Bracket
  - 11 Bottom Rail



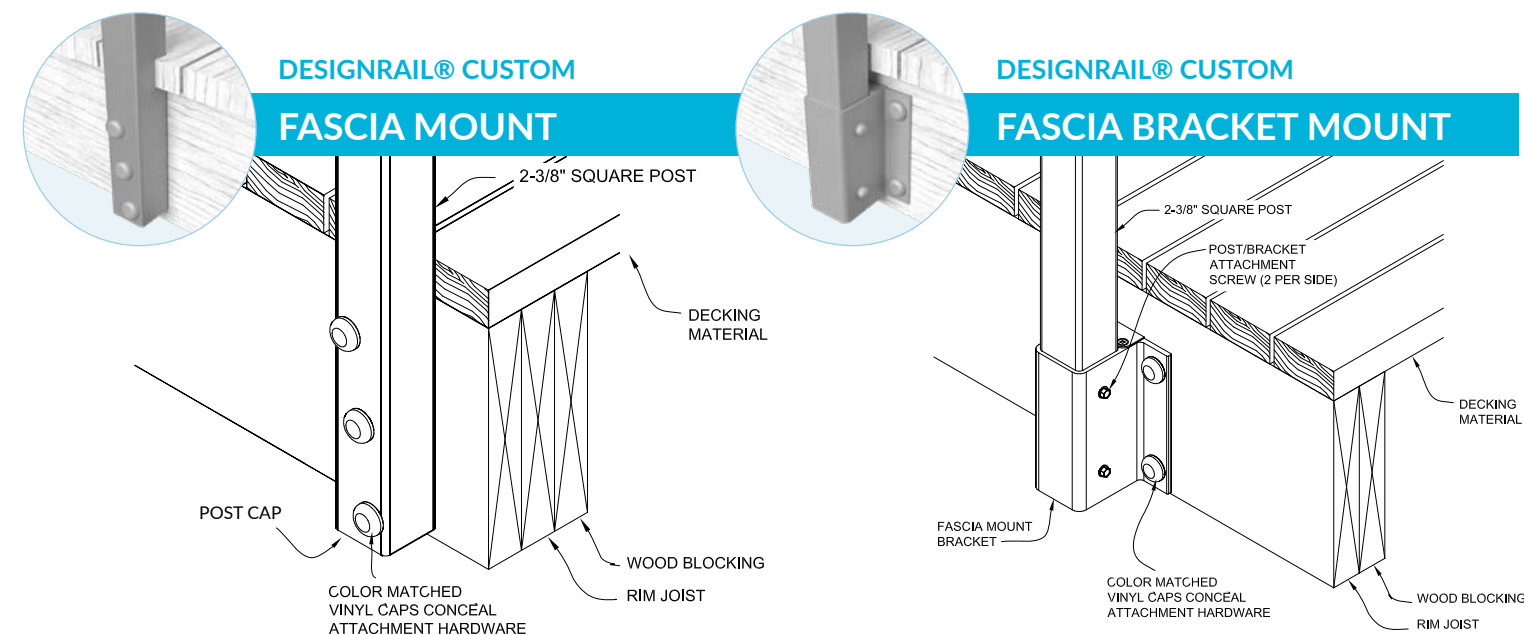
# Mounting Details

Posts can be mounted to concrete or steel, as well as wood (shown below).



For top mounting to deck, patio or stair tread surfaces. 5" square base plates come pre-attached for level conditions, and are included loose for stair applications. Narrow and offset base plates also available.

Stanchions are available in steel, aluminum, or stainless steel. For mounting with stone or tile covered concrete slabs or on roof decks where penetration of waterproof roofing membranes must be minimized. Short stanchions are attached to the structural members prior to pouring the slab or laying the roof membrane.



For side mounting to fascia boards, joists or walls. Fascia Mount posts come with pre-drilled mounting hardware holes. Number of holes may vary upon application.

For side mounting to fascia boards, joists or walls. Fascia Mount Brackets come with pre-drilled mounting hardware holes. Number of holes may vary upon application.



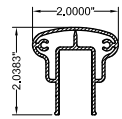
# Top Rail Details



DESIGNRAIL® CLASSIC  
DESIGNRAIL® CUSTOM

## SERIES 150

Series 150 is a 2" wide graspable top rail that can be used for both stair and level railings. It runs post to post and is attached using Rail Connecting Brackets (RCBs) and stainless steel screws.



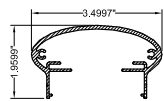
Series 150 top rail meets residential code requirements for stair hand rail sizing; it requires a hand rail when used on stairs for commercial. Available in 18 ColorEasy™ colors.



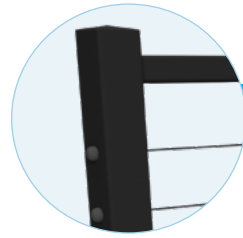
DESIGNRAIL® CUSTOM

## SERIES 350

Series 350 is a 3-1/2" wide elliptical top rail that can be used for both stair and level railings. The sleek, stylish design offers another option for those who prefer a less angular top rail appearance.



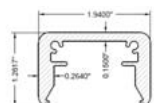
Series 350 top rail requires a hand rail when used on stairs for residential and commercial. Top rails rest on the tops of the posts and are secured with stainless steel screws. Available in 15 ColorEasy™ colors.



DESIGNRAIL® MODERN

## SERIES 250

Series 250 is a 1.94" wide graspable top rail that can be used for both stair and level railings. It runs post to post and is attached using Rail Connecting Brackets (RCBs) and stainless steel screws.



Series 250 top rail meets residential code requirements for stair hand rail sizing; it requires a hand rail when used on stairs for commercial. Available in Black and Textured Black only; optional Drink Rail Adapter available for level railings.

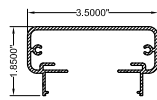
DRINK RAIL ADAPTER  
(OPTIONAL)



DESIGNRAIL® CUSTOM

## SERIES 200

Series 200 is a 3-1/2" wide rectangular top rail that can be used for both stair and level railings. The flat surface is a convenient perch for your favorite beverage as you enjoy the view.



Series 200 top rail requires a hand rail when used on stairs for residential and commercial. Top rails rest on the tops of the posts and are secured with stainless steel screws. Available in 18 ColorEasy™ colors.

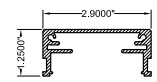


DESIGNRAIL® CUSTOM

## SERIES 450

Series 450 is a low-profile top rail that can be used for both stair and level railings. This top rail can be used as stand-alone or for adding your own wood or composite cap rail (not included)

WOOD CAP OPTIONAL  
(NOT PROVIDED BY FEENEY)



Series 450 top rail requires a hand rail when used on stairs for residential and commercial. Top rails rest on the tops of the posts and are secured with stainless steel screws. Available in 15 ColorEasy™ colors.

# Post Accent Lights

The decorative aluminum sconce has a durable powder-coated finish that matches the frame for a seamless look.

Post Accent Lights attach to the post face to create a beautiful down light - great for stair railing accents. These lights are fully dimmable using 24V magnetic dimmable driver kits and compatible dimmer switch, and are UL Listed.

Post lights are compatible with all DesignRail® Custom infill options and post types. The aluminum sconce has a 10 year warranty; power supplies have a warranty of 5 years.



AVAILABLE IN 18 POWDER-COATED ALUMINUM COLORS  
See page 20 for more details.

# LED Rail Lighting

Feeny 24V Wet Location Strip Light is a versatile, linear light that provides high output lighting for indoor and outdoor applications. High lumen output and a high Color Rendering Index (CRI) make it ideal for railing lighting. This strip features a flexible, weatherproof housing that resists the elements and dust, and is wet rated for outdoor use.

LED Lighting is fully dimmable using 24V magnetic dimmable driver kits and a compatible dimmer switch. Installation is a breeze: lighting strips are mounted to the surface using integrated VHB tape. Rail Lighting can run up to 55 feet with one strip and maintains its UL Listing even after it is cut in the field. Light strips have a warranty of 7 years; power supplies have a warranty of 5 years.

Top and Bottom Rail Lighting is available for DesignRail® Custom with CableRail infill. Bottom Rail Lighting only is available for Tempered Glass and Picket infill.



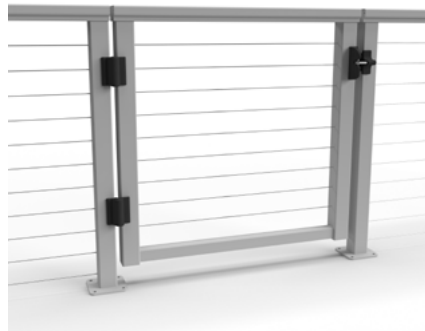
Learn more about Lighting on our website.

## Custom Gates

Powder-coated aluminum gates are pre-welded with easy to install gate hardware. Gates come in 36" or 42" standard heights (*custom heights also available*).

Any infill type and top rail can be used to match your railing design. Locking hardware is available.

### GATE INFILL OPTIONS



Horizontal Cable Infill with No Bottom Rail



Horizontal Cable Infill with Bottom Rail



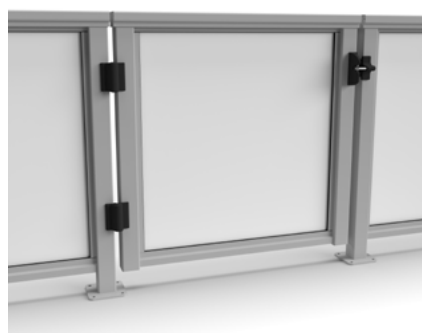
Aluminum Picket Infill



Glass Infill



Vertical Cable Infill



Panel Infill  
(Resin, Laser-Cut Aluminum, Stainless Steel Mesh)

### GATE HARDWARE

Made from UV stabilized, super strong engineered polymer and stainless steel. Each kit includes all the hardware necessary for installation.

Designed for exceptional durability and lasting, reliable performance. Easy installation and adjustment with smooth working action.

Lock Kit includes key; Hinge Kit includes two hinges.

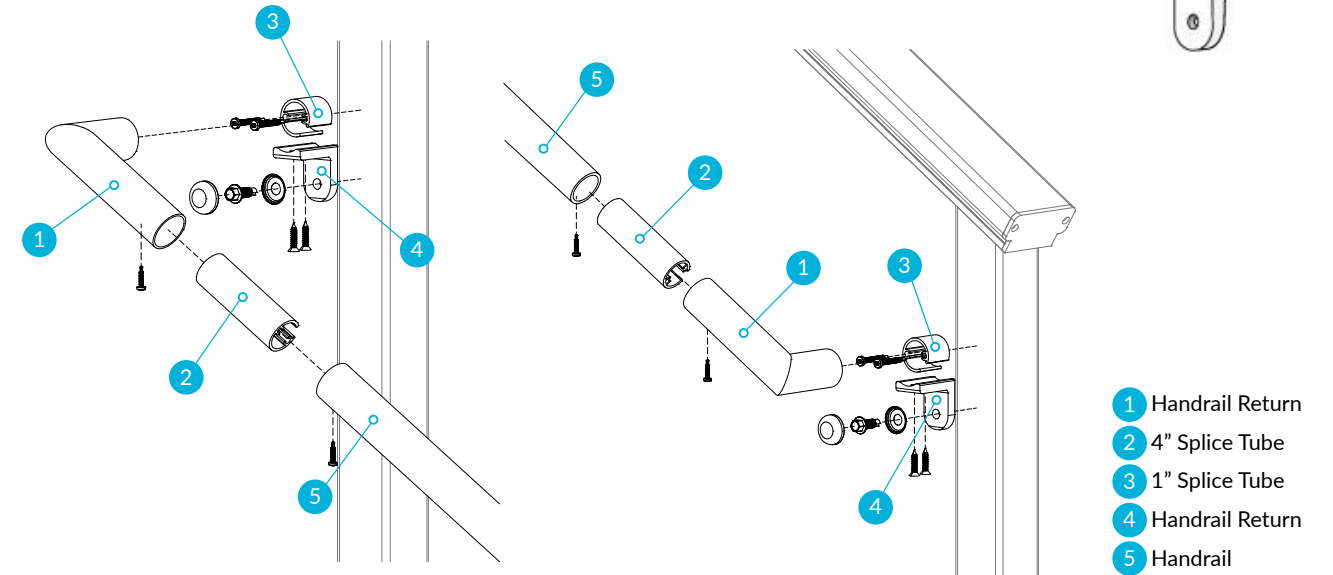


## Code-Compliant Handrails

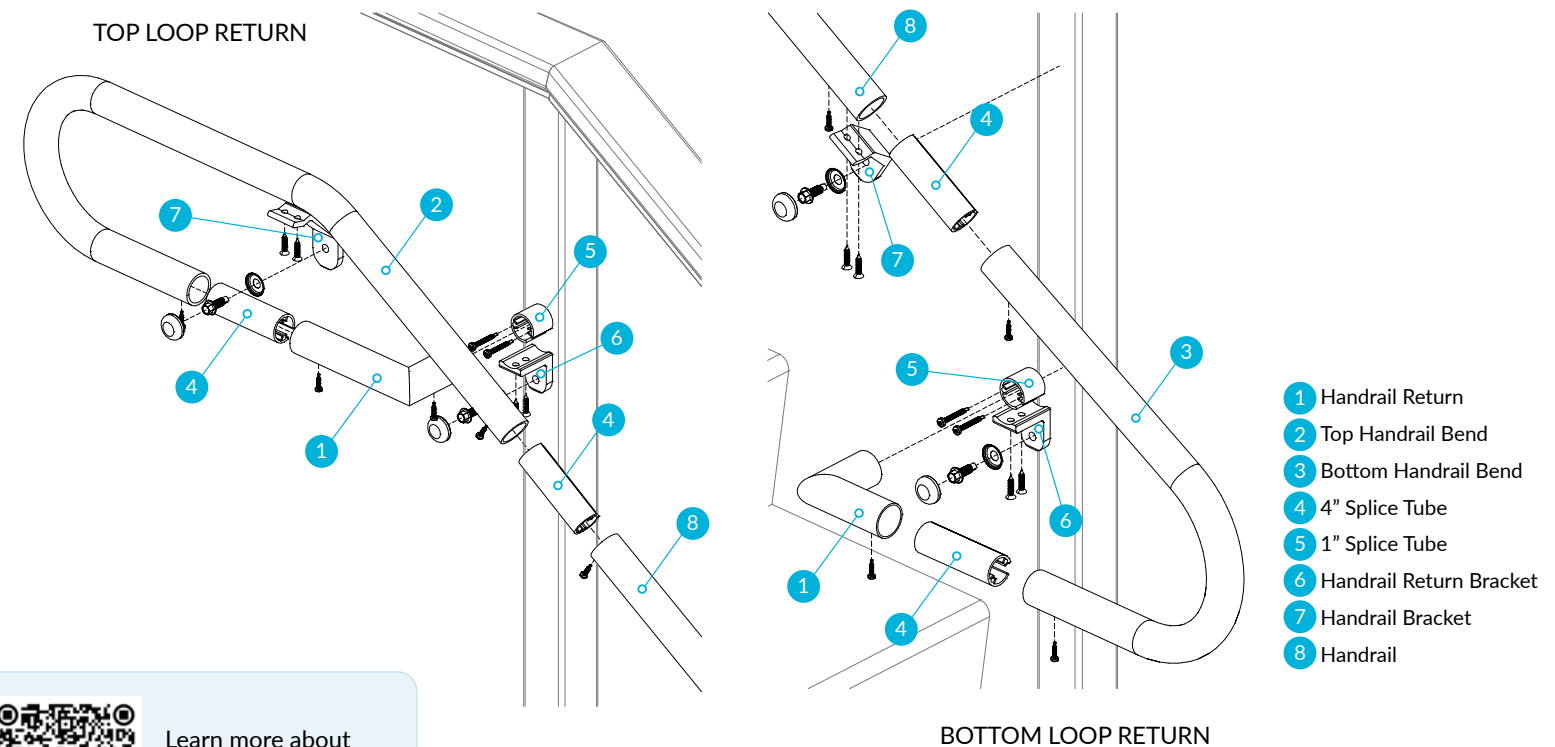
Powder-coated aluminum hand rails are 1-1/2" diameter, pre-welded with easy to install hardware. Custom bent and fabricated returns, ready to assemble with splice tubes.



### RESIDENTIAL CODE COMPLIANT HANDRAIL (use when not using Top Rail Series 150/250)



### ADA CODE COMPLIANT HANDRAIL (incorporates both top and bottom looped returns)




Learn more about Custom Gates on our website.



Learn more about Handrails on our website.


# Installation Overview

**1 INSTALL POSTS**



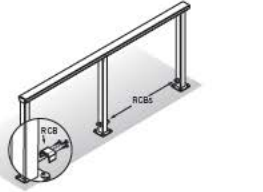
Install the posts starting with the end and corner posts, continuing on to the intermediate posts.

**2 ATTACH TOP RAILS**




Measure and cut the top rails and attach to posts using screws. If using Series 450 top rail, cut and screw on the wood or composite cap rail. If using the Panel Infill, the top rail will go on after the panels are inserted into the frame. (see below)

**3 ATTACH RAIL BRACKETS**



If using bottom rails, screw the Rail Connecting Brackets (RCBs) to the posts for attaching the bottom rails.


**4 PREPARE INFILL SUPPORT**



Measure and cut top rail inserts and bottom rails for each panel section.


**5 INSTALL INFILL (CHOOSE ONE)**

**PICKET INFILL**




Trim the pre-fabricated panels to length. Lift the complete panel into position on the railing frame and screw in place.

**GLASS INFILL**




Attach top rail insert and bottom rail to railing frame and insert vinyl liners. Lift the pre-cut panel into the top rail insert, then lower into final position in bottom rail slot.

**HORIZONTAL CABLE INFILL**




Screw intermediate pickets to top rail insert and bottom rail (if using bottom rail), then lift into position on frame and screw in place. Lace cables through pre-drilled holes in posts and pickets, then tighten and trim.

**VERTICAL CABLE INFILL**



Screw intermediate pickets to top rail insert and bottom rail and loosely attach cables. Lift entire panel into position on railing frame and screw in place. Tighten nuts at bottom for final cable tension.

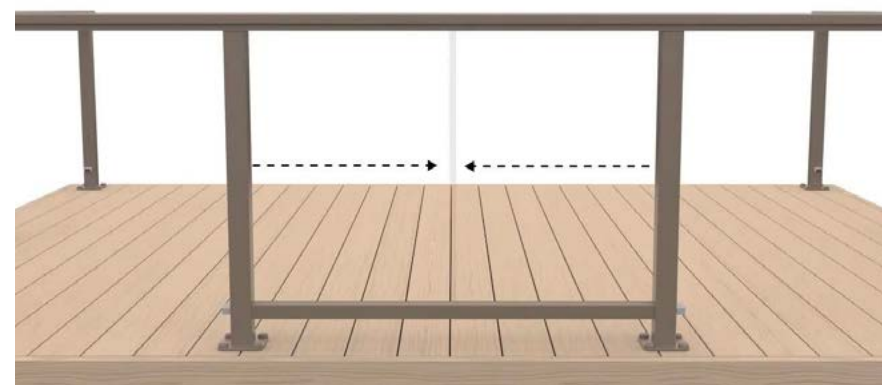
**PANEL INFILL**



Slide the panel into the railing frame and then attach the top rail.

## Installation videos

Check out our website and our YouTube channel: [youtube.com/feeneyinc](https://youtube.com/feeneyinc)



Visit our website at [feeneyinc.com](https://feeneyinc.com) for more detailed information.

# DesignRail® Classic Kits Order Checklist

DesignRail® Classic Kits are easily adaptable to any exterior or interior residential project. Simply complete this Order Checklist and take it to your local dealer, found at: [feeneyinc.com/dealer-locator](https://feeneyinc.com/dealer-locator). Residential applications only.

COLORS

BLACK (BLK)

TEXTURED BLACK (TBLK)

## STEP 1 Choose Rail Kits based on Rail Height and Application

Each kit includes a 6-ft top and bottom rail, a pre-drilled intermediate picket, and all necessary attachment hardware to install between posts that are chosen in Step 2. Classic Rail Kits can be used with Classic Post Kits or between your own wood posts.

**LR LEVEL RAIL KIT**

36-in DR-LR : 7724 BLK-PKG  
DR-LR : 7724 TBLK-PKG

42-in DR-LR : 7609 BLK-PKG  
DR-LR : 7609 TBLK-PKG

**SR STAIR RAIL KIT**

36-in DR-SR : 7610 BLK-PKG  
DR-SR : 7610 TBLK-PKG

## STEP 2 Choose Post Kits based on Rail Height and Application

Each kit includes a pre-drilled post and all necessary attachment hardware for post mounting.

Pre-drilled Level Post Kits	Pre-drilled Level to Stair Post Kits	Pre-Drilled Stair Post Kits
<p><b>QUICK-CONNECT® END</b> CableRail Quick-Connect® end fittings.</p> <p>36-in DR-QC : 7613 BLK-PKG DR-QC : 7613 TBLK-PKG</p> <p>42-in DR-QC : 7618 BLK-PKG DR-QC : 7618 TBLK-PKG</p>	<p><b>NEWEL TERMINATION - RIGHT</b> Level-to- stair railing transitions that have a right 90° turn from the stairs.</p> <p>36-in DR-NR : 7598 BLK-PKG DR-NR : 7598 TBLK-PKG</p> <p>42-in DR-NR : 7721 BLK-PKG DR-NR : 7721 TBLK-PKG</p>	<p><b>THREADED TERMINAL STAIR END</b> CableRail Threaded Terminal end fittings.</p> <p>36-in DR-TTS : 7614 BLK-PKG DR-TTS : 7614 TBLK-PKG</p>
<p><b>INTERMEDIATE</b> Cable passes through.</p> <p>36-in DR-IN : 7611 BLK-PKG DR-IN : 7611 TBLK-PKG</p> <p>42-in DR-IN : 7616 BLK-PKG DR-IN : 7616 TBLK-PKG</p>	<p><b>NEWEL TERMINATION - LEFT</b> Level-to- stair railing transitions that have a left 90° turn from the stairs.</p> <p>36-in DR-NL : 7599 BLK-PKG DR-NL : 7599 TBLK-PKG</p> <p>42-in DR-NL : 7722 BLK-PKG DR-NL : 7722 TBLK-PKG</p>	<p><b>INTERMEDIATE STAIR</b> Pre-drilled for cable to pass through.</p> <p>36-in DR-INS : 7619 BLK-PKG DR-INS : 7619 TBLK-PKG</p>
<p><b>THREADED TERMINAL END</b> CableRail Threaded Terminal end fittings.</p> <p>36-in DR-TT : 7612 BLK-PKG DR-TT : 7612 TBLK-PKG</p> <p>42-in DR-TT : 7617 BLK-PKG DR-TT : 7617 TBLK-PKG</p>	<p><b>NEWEL PASSTHROUGH</b> Level-to- stair railing transitions where cables continue through.</p> <p>36-in DR-NP : 7600 BLK-PKG DR-NP : 7600 TBLK-PKG</p> <p>42-in DR-NP : 7723 BLK-PKG DR-NP : 7723 TBLK-PKG</p>	<p><b>QUICK-CONNECT® STAIR END</b> Pre-drilled for CableRail Quick-Connect® end fittings.</p> <p>36-in DR-QCS : 7615 BLK-PKG DR-QCS : 7615 TBLK-PKG</p>
<p><b>SINGLE CORNER</b> Use in corners run CableRail continuously.</p> <p>36-in DR-SC : 7624 BLK-PKG DR-SC : 7624 TBLK-PKG</p> <p>42-in DR-SC : 7720 BLK-PKG DR-SC : 7720 TBLK-PKG</p>		

## STEP 3 Choose CableRail Infill lengths

Each kit includes the following: Quick-Connect® Inset fitting (1), Flat Washer (2), Snug-Grip Washer Nut (1), and Threaded Terminal fitting (1 preattached). End Caps are sold separately.

CableRail Kits (6200-Series)			
1/8" x 5 ft	6205-PKG	1/8" x 25 ft	6225-PKG
1/8" x 10 ft	6210-PKG	1/8" x 30 ft	6230-PKG
1/8" x 15 ft	6215-PKG	1/8" x 40 ft	6240-PKG
1/8" x 20 ft	6220-PKG	1/8" x 50 ft	6250-PKG

## STEP 4 Select Additional Components

Optional finishing touches for your railing.

END CAPS - POLYETHYLENE	END CAPS - STAINLESS STEEL
<p><b>Black End Cap</b> 7071-PKG - 10 Pack</p>	<p><b>Dome End Cap</b> 3372-PKG - 4 pack</p>
<p><b>BASE PLATE COVERS</b></p> <p><b>Base Plate Cover</b> DRA : BPC-SQ-BLK-PKG DRA : BPC-SQ-TBLK-PKG</p>	<p><b>Crown End Cap</b> 3373-PKG - 4 pack</p> <p><b>Chamfer End Cap</b> 3374-PKG - 4 pack</p>

## Product Support

Feeney takes pride in making it easy for our customers to succeed. That's why our team of experts are available to support you throughout the process, while ensuring that your project is a success!

Call us toll free at 800-888-2418 or reach us online:

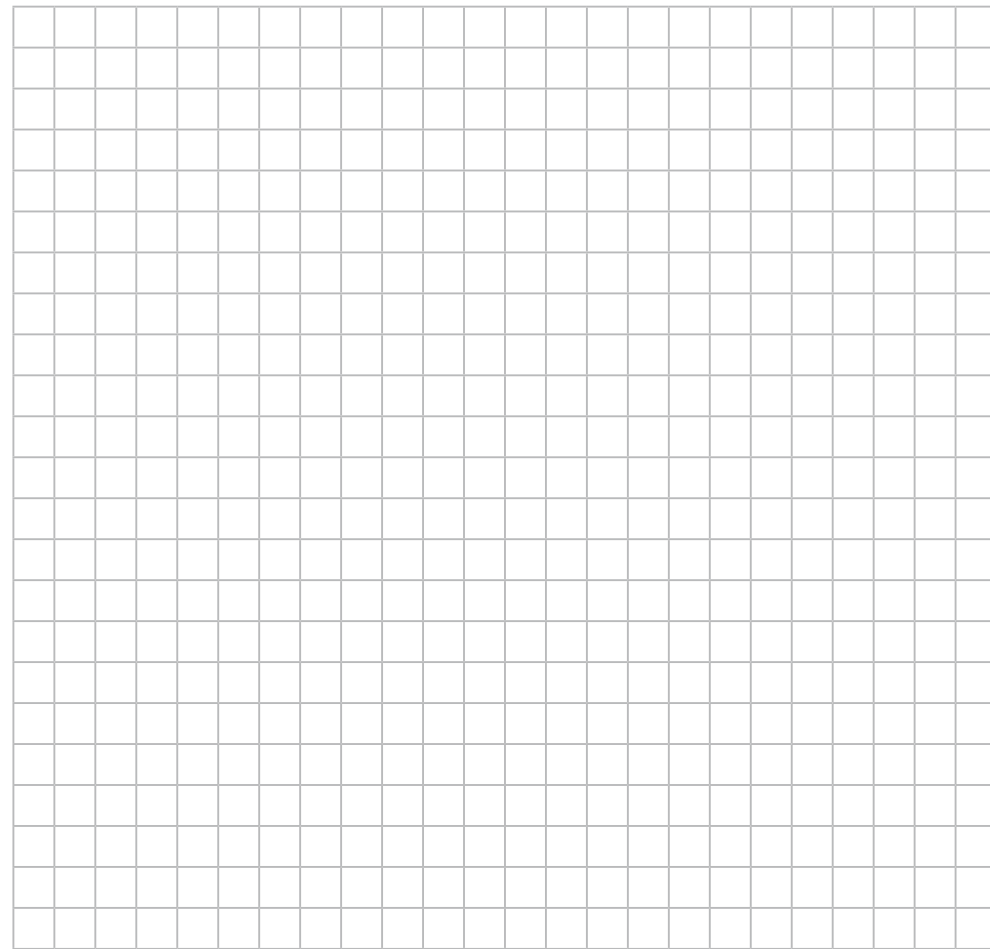
[feeneyinc.com/contact-us/](https://feeneyinc.com/contact-us/)

# DesignRail® Classic Kits Order Checklist

## Plan Your Project

### SKETCH YOUR LAYOUT

Residential applications only.



Take the completed checklist to your local dealer, found at: [feeneyinc.com/dealer-locator](http://feeneyinc.com/dealer-locator).

### Rail Kits

- LR** Level Rail Kit
- SR** Stair Rail Kit

### Level Post Kits

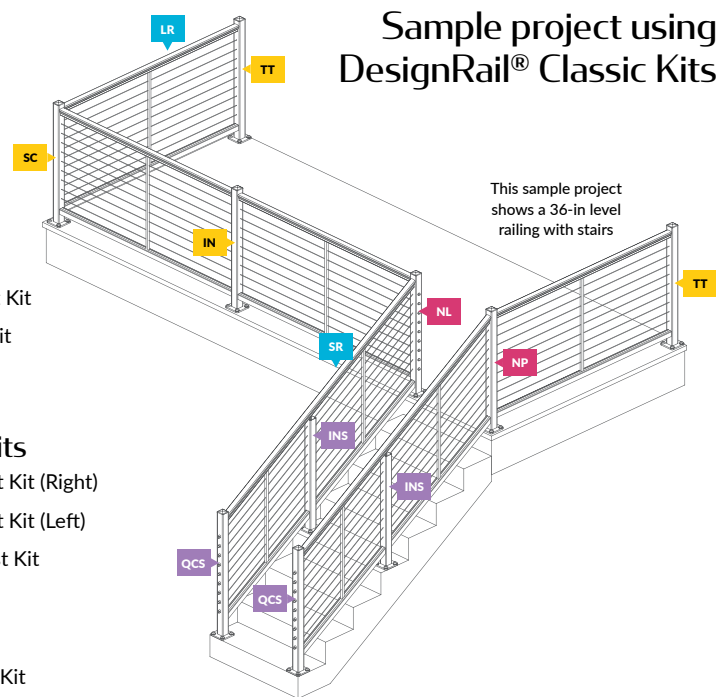
- IN** Intermediate Post Kit
- TT** Threaded Terminal Post Kit
- QC** Quick-Connect® Post Kit
- SC** Single Corner Post Kit

### Level to Stair Post Kits

- NR** Newel Termination Post Kit (Right)
- NL** Newel Termination Post Kit (Left)
- NP** Newel Passthrough Post Kit

### Stair Post Kits

- INS** Intermediate Stair Post Kit
- TTS** Threaded Terminal Stair Post Kit
- QCS** Quick-Connect® Stair Post Kit



## Sample project using DesignRail® Classic Kits

This sample project shows a 36-in level railing with stairs



### STEP 1: SELECT YOUR RAIL KITS

**LR** Level Rail

**SR** Stair Rail

Black  Textured Black

### STEP 2: SELECT YOUR POST KITS

**LEVEL POST OPTIONS:**

**IN** Intermediate

**TT** Threaded Terminal End

**QC** Quick-Connect® End

**SC** Single Corner

### LEVEL TO STAIR POST OPTIONS:

**NR** Newel Termination R

**NL** Newel Termination L

**NP** Newel Passthrough

### STAIR POST OPTIONS:

**INS** Intermediate

**TTS** Threaded Terminal End

**QCS** Quick-Connect® End

### STEP 3: SELECT YOUR CABLE KITS

Use 9 CableRail Kits per run for 36-in systems and 11 for 42-in systems.

5-ft <input type="text"/>	25-ft <input type="text"/>
10-ft <input type="text"/>	30-ft <input type="text"/>
15-ft <input type="text"/>	40-ft <input type="text"/>
20-ft <input type="text"/>	50-ft <input type="text"/>

### ADDITIONAL COMPONENTS

You will need 2 end caps for each CableRail Kit and 1 base plate cover per Post Kit.

End caps  End cap type

Base plate covers



Visit our website at [feeneyinc.com/product/Design-Rail-Classic](http://feeneyinc.com/product/Design-Rail-Classic) to learn more.

# DesignRail® Modern Kits Order Checklist

DesignRail® Modern Kits are easily adaptable to any exterior or interior residential project. Simply complete this Order Checklist and take it to your local dealer, found at: [feeneyinc.com/dealer-locator](http://feeneyinc.com/dealer-locator). Residential applications only.

### COLORS

BLACK (BLK)

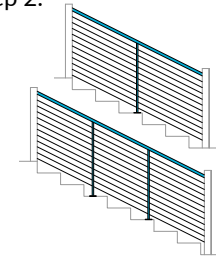
TEXTURED BLACK (TBLK)

## STEP 1 Choose Rail Kits based on Rail Height and Application

Each kit includes a 6-ft or 8-ft top rail, either 1 or 2 pre-drilled intermediate pickets, and all necessary attachment hardware to install between posts that are chosen in Step 2.



- LR LEVEL RAIL KIT**
- 36-in, 6-ft: DRM : 36L-6RK-BLK-PKG  
DRM : 36L-6RK-TBLK-PKG
- 36-in, 8-ft: DRM : 36L-8RK-BLK-PKG  
DRM : 36L-8RK-TBLK-PKG
- 42-in, 6-ft: DRM : 42L-6RK-BLK-PKG  
DRM : 42L-6RK-TBLK-PKG



- SR STAIR RAIL KIT**
- 36-in, 6-ft: DRM : 36S-6RK-BLK-PKG  
DRM : 36S-6RK-TBLK-PKG
- 36-in, 8-ft: DRM : 36S-8RK-BLK-PKG  
DRM : 36S-8RK-TBLK-PKG

## STEP 2 Choose Post Kits based on Rail Height and Application

Each kit includes a pre-drilled post and all necessary attachment hardware for post mounting.

### Level Post Kits

**QUICK-CONNECT® END**  
CableRail Quick-Connect® end fittings.

36-in: DRM : 36L-QC-BLK-PKG  
DRM : 36L-QC-TBLK-PKG

42-in: DRM : 42L-QC-BLK-PKG  
DRM : 42L-QC-TBLK-PKG

**INTERMEDIATE**  
Cable passes through.

36-in: DRM : 36L-IN-BLK-PKG  
DRM : 36L-IN-TBLK-PKG

42-in: DRM : 42L-IN-BLK-PKG  
DRM : 42L-IN-TBLK-PKG

**THREADED TERMINAL END**  
CableRail Threaded Terminal end fittings.

36-in: DRM : 36L-TT-BLK-PKG  
DRM : 36L-TT-TBLK-PKG

42-in: DRM : 42L-TT-BLK-PKG  
DRM : 42L-TT-TBLK-PKG

**SINGLE CORNER**  
Use in 90 degree corners to run cable continuously.

36-in: DRM : 36L-SC-BLK-PKG  
DRM : 36L-SC-TBLK-PKG

42-in: DRM : 42L-SC-BLK-PKG  
DRM : 42L-SC-TBLK-PKG

### Level to Stair Post Kits

**NEWEL TERMINATION - LEFT**  
Level-to-stair railing transitions that have a left 90° turn from the stairs.

36-in: DRM : 36L-NL-BLK-PKG  
DRM : 36L-NL-TBLK-PKG

42-in: DRM : 42L-NL-BLK-PKG  
DRM : 42L-NL-TBLK-PKG

**NEWEL TERMINATION - RIGHT**  
Level-to-stair railing transitions that have a right 90° turn from the stairs.

36-in: DRM : 36L-NR-BLK-PKG  
DRM : 36L-NR-TBLK-PKG

42-in: DRM : 42L-NR-BLK-PKG  
DRM : 42L-NR-TBLK-PKG

**NEWEL PASSTHROUGH**  
Level-to-stair railing transitions where cables continue through.

36-in: DRM : 36L-NP-BLK-PKG  
DRM : 36L-NP-TBLK-PKG

42-in: DRM : 42L-NP-BLK-PKG  
DRM : 42L-NP-TBLK-PKG

**45 DEGREE**  
Use in 45 degree corners to run cable continuously.

36-in: DRM : 36L-45-BLK-PKG  
DRM : 36L-45-TBLK-PKG

42-in: DRM : 42L-45-BLK-PKG  
DRM : 42L-45-TBLK-PKG

### Stair Post Kits

**THREADED TERMINAL STAIR END**  
CableRail Threaded Terminal end fittings.

36-in: DRM : 36S-TT-BLK-PKG  
DRM : 36S-TT-TBLK-PKG

**INTERMEDIATE STAIR**  
Pre-drilled for cable to pass through.

36-in: DRM : 36S-IN-BLK-PKG  
DRM : 36S-IN-TBLK-PKG

**QUICK-CONNECT® STAIR END**  
Pre-drilled for CableRail Quick-Connect® end fittings.

36-in: DRM : 36S-QC-BLK-PKG  
DRM : 36S-QC-TBLK-PKG

**BLANK POSTS**  
For unique installation conditions.

36-in: DRM : 36L-B-BLK-PKG  
DRM : 36L-B-TBLK-PKG

42-in: DRM : 42L-B-BLK-PKG  
DRM : 42L-B-TBLK-PKG

## STEP 3 Choose CableRail Infill lengths

Each kit includes the following: Quick-Connect® Inset fitting (1), Flat Washer (2), Snug-Grip Washer Nut (1), and Threaded Terminal fitting (1 preattached). End Caps are sold separately.

### CableRail Kits (6200-Series)

1/8" x 5 ft	6205-PKG	1/8" x 25 ft	6225-PKG
1/8" x 10 ft	6210-PKG	1/8" x 30 ft	6230-PKG
1/8" x 15 ft	6215-PKG	1/8" x 40 ft	6240-PKG
1/8" x 20 ft	6220-PKG	1/8" x 50 ft	6250-PKG

## STEP 4 Select Additional Components

Optional finishing touches for your railing.

### END CAPS

- Black End Cap**  
7071-PKG - 10 Pack
- Dome End Cap**  
3372-PKG - 4 pack
- Crown End Cap**  
3373-PKG - 4 pack
- Chamfer End Cap**  
3374-PKG - 4 pack

### BASE PLATE COVERS

- Base Plate Cover - Square**  
DRA : BPC-SQ-BLK-PKG  
DRA : BPC-SQ-TBLK-PKG
- Base Plate Cover - 45 Degree**  
DRA : BPC-45-BLK-PKG  
DRA : BPC-45-TBLK-PKG

### DRINK RAIL

- Drink Rail Adapter**  
Use to attach a wood or composite drink rail.  
DRA : DRNK-BLK-PKG  
DRA : DRNK-TBLK-PKG

# DesignRail® Modern Kits Order Checklist

## Plan Your Project

SKETCH YOUR LAYOUT

Residential applications only.

Take the completed checklist to your local dealer, found at: [feeneyinc.com/dealer-locator](http://feeneyinc.com/dealer-locator).

### Rail Kits

- LR Level Rail Kit
- SR Stair Rail Kit

### Level Post Kits

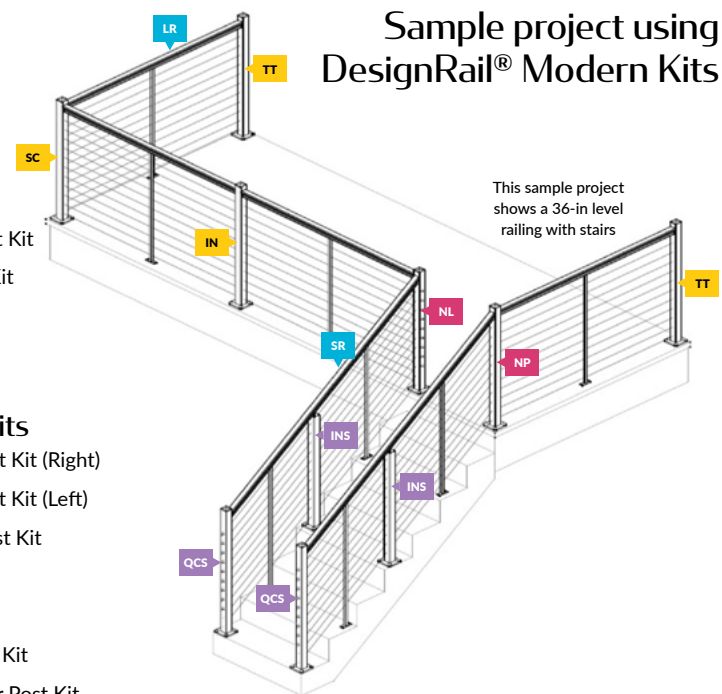
- IN Intermediate Post Kit
- TT Threaded Terminal Post Kit
- QC Quick-Connect® Post Kit
- SC Single Corner Post Kit
- 45 45 Degree Post Kit

### Level to Stair Post Kits

- NR Newel Termination Post Kit (Right)
- NL Newel Termination Post Kit (Left)
- NP Newel Passthrough Post Kit

### Stair Post Kits

- INS Intermediate Stair Post Kit
- TTS Threaded Terminal Stair Post Kit
- QCS Quick-Connect® Stair Post Kit



Sample project using DesignRail® Modern Kits

This sample project shows a 36-in level railing with stairs



### STEP 1: SELECT YOUR RAIL KITS

8' Rail Kits only available for 36" railings

Level Rail: 6LR 36"  8LR 36"   
 42"  42"

Stair Rail: 6SR 36"  8SR 36"

Color:  Black  Textured Black

### STEP 2: SELECT YOUR POST KITS

#### LEVEL POST OPTIONS:

- IN Intermediate
- TT Threaded Terminal End
- QC Quick-Connect® End
- SC Single Corner
- 45 45 Degree
- BL Blank

#### LEVEL TO STAIR POST OPTIONS:

- NR Newel Termination R
- NL Newel Termination L
- NP Newel Passthrough

#### STAIR POST OPTIONS:

- INS Intermediate
- TTS Threaded Terminal End
- QCS Quick-Connect® End

### STEP 3: SELECT YOUR CABLE KITS

Use 11 CableRail Kits per run for 36-in systems and 13 for 42-in systems.

5-ft  25-ft   
 10-ft  30-ft   
 15-ft  40-ft   
 20-ft  50-ft

#### ADDITIONAL COMPONENTS

You will need 2 end caps for each CableRail Kit and 1 base plate cover per Post Kit.

End caps  End cap type   
 Base plate covers  Drink Rail Adapter



Visit our website at [feeneyinc.com/product/Design-Rail-Modern](http://feeneyinc.com/product/Design-Rail-Modern) to learn more.

# DesignRail® Custom Request for Quote

DesignRail® Custom railings are easily adaptable to any exterior, interior, commercial, or residential project. Simply choose from the style options below to create your perfect railing design. When complete, email form to [sales@feeneyinc.com](mailto:sales@feeneyinc.com) and we will connect you with your local dealer. If you need a contractor, try our Feeney Preferred Contractor locator: [feeneyinc.com/installer-locator/](http://feeneyinc.com/installer-locator/)

\* indicates required field

\* Dealer Name & Location \_\_\_\_\_  
 \* Dealer Contact Person \_\_\_\_\_  
 \* Dealer Phone \_\_\_\_\_  
 \* Dealer Email \_\_\_\_\_  
 \* Customer/Project Name \_\_\_\_\_  
 \* Project Shipping Address \_\_\_\_\_  
 Project Timeline \_\_\_\_\_

Feeney Representative \_\_\_\_\_

\* Project Type  Residential - New  Residential - Remodel  
 Commercial - New  Commercial - Remodel  
 \* Project Location  Indoor  Inland  
 Outdoor  Coastal (Salt Water)  
 Distance from water \_\_\_\_\_

### STEP 1 Select Railing Height

36-in  39-in  42-in

Building codes in your area may require your rails to meet a minimum height. Consult your local building codes when choosing a height for your project.

### STEP 2 Select Mounting

#### MOUNTING OPTIONS

- Base  Base Plate Covers
- Stanchion
- Core
- Direct Fascia
- Fascia Bracket

#### MOUNTING SURFACE

- Wood
- Composite over Wood
- Concrete Slab
- Other \_\_\_\_\_

#### FASCIA DETAILS

Fascia Height \_\_\_\_\_  
 Thickness (include fascia, trim board and blocking) \_\_\_\_\_  
 Thickness \_\_\_\_\_

### STEP 3 Select Infill

- 1/8" HORIZONTAL CABLE BOTTOM RAIL**  
 Standard Cablerail Kits  Cablerail Conceal Kits  
 Intermediate Rail
- 1/8" HORIZONTAL CABLE NO BOTTOM RAIL**  
 Intermediate Rail
- VERTICAL CABLES**  
 Intermediate Rail
- VERTICAL PICKETS**  
 Intermediate Rail
- TEMPERED GLASS**  
 Intermediate Rail
- RESIN**  
 Style \_\_\_\_\_
- LASER CUT ALUMINUM**  
 Style \_\_\_\_\_
- STAINLESS STEEL MESH**  
 Style \_\_\_\_\_

### STEP 4 Select Top Rail

- GRASPABLE TOP RAIL (SERIES 150)**  
 Post to Post Top Rail (Type II graspable stair profile code compliant)
- RECTANGLE TOP RAIL (SERIES 200)**  
 Over the Post Top Rail
- ELLIPTICAL TOP RAIL (SERIES 350)**  
 Over the Post Top Rail
- LOW-PROFILE TOP RAIL (SERIES 450)**  
 Over the Post Top Rail (Wood/Composite cap not included)



Visit our website at [feeneyinc.com/product/Design-Rail-Custom](http://feeneyinc.com/product/Design-Rail-Custom) to learn more.

**STEP 5** Select Color

Post Color \_\_\_\_\_

Top Rail Color \_\_\_\_\_

Intermediate Picket/Laser Panel Color  
*(If applicable)* \_\_\_\_\_

**STEP 6** Select Stair Post Angle

Standard Options (choose one)

23°-28°    29°-34°    35°-39°

Custom angle: \_\_\_\_\_

Blank Post (Posts will not be pre-drilled)

**STEP 7** Select Upgrades

Code-compliant Handrails    Top Rail Lighting

Intermediate Horizontal Rail    Bottom Rail Lighting

Gate(s)    Post Accent Lights

**ColorEasy™** POWDER-COATED ALUMINUM COLORS

<b>BRIGHT WHITE</b>	<b>BRONZE</b>
<b>MODERN WHITE</b>	<b>OIL RUBBED BRONZE</b>
<b>COFFEE CREAM</b>	<b>BRICKYARD RED</b>
<b>SILVER</b>	<b>COMMODORE BLUE</b>
<b>DOVE GRAY</b>	<b>HARTFORD GREEN</b>
<b>IRON GRAY</b>	
<b>BLUE STEEL</b>	<b>"WOOD" TOP RAIL OPTIONS</b> <small>(TOP RAIL SERIES 150/200)</small>
<b>BLACK</b>	<b>WEATHERED GRAY</b>
<b>TEXTURED BLACK</b>	<b>CHERRY</b>
<b>SPARKLING CHAMPAGNE</b>	<b>WALNUT</b>

*\* indicates required field*

**SKETCH YOUR LAYOUT**

When complete, email form to [sales@feeneyinc.com](mailto:sales@feeneyinc.com) and copy your Feeney representative.



## Gallery of Inspiration

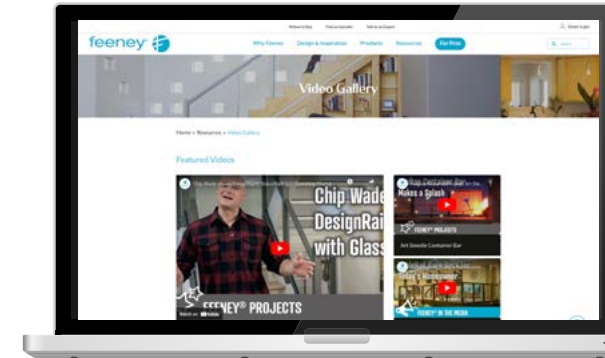
Our online photo gallery allows you to search hundreds of photos to find project ideas.

Visit [feeneyinc.com/resources/image-gallery](http://feeneyinc.com/resources/image-gallery)

## Feeney Video Library

Whether you are looking for project inspiration or installation guidance, we've got you. Check out our library of videos!

Visit [feeneyinc.com/resources/video-gallery](http://feeneyinc.com/resources/video-gallery)



## Design your Railing in 3D

Try out all our railing options including CableRail and DesignRail®, then save and share your project with your authorized dealer or contractor.

Start designing now: [feeneyinc.com/visual-builder](http://feeneyinc.com/visual-builder)

## Get Samples

Feeney has partnered with Swatchbox to deliver samples quickly to your door. See and feel our products for yourself.

Visit [swatchbox.com/pro/manufacturer/feeney](http://swatchbox.com/pro/manufacturer/feeney)



## More Ideas: Social & Blog

Featured projects, tips and trends: [feeneyinc.com/blog](http://feeneyinc.com/blog) and follow us on your favorite social platform @FeeneyInc



THE FEENEY FAMILY OF PRODUCTS  
CableRail • DesignRail®  
Awning Kits • Architectural Rods • Trellis Kits

FEENEY IS A PROUD MEMBER OF



AIA  
Continuing  
Education  
Provider

AMERICAN  
SOCIETY OF  
INTERIOR  
DESIGNERS



NOMMA  
NATIONAL ORNAMENTAL & MISCELLANEOUS METALS ASSOCIATION  
EXECUTIVE BOARD



Leading  
Suppliers Council



feeney® 

feeneyinc.com  
1 (800) 888 2418

REORDER# 13701  
v 05/24

©2024 Feeney, Inc.