

feeney®  AWNINGS



**Stationary Awnings for Doors and Windows**



ICON AWNING



Feeney's line of high-quality stationary awnings are designed to provide maximum protection in a wide variety of climates, while providing customers with a beautiful exterior accent.

## Key features

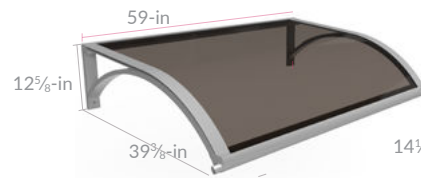
- Durable, powder coated finishes adhere to **AAMA-2604 coating specifications** for superior color retention, impact resistance and weather protection
- Engineered to withstand **high snow/wind loads of up to 35.5 psf**
- Strong polycarbonate **UV two sided** panels for high levels of protection from the elements
- Modular design gives customers the opportunity to select the components they need for their specific project
- Features a **built-in rain gutter**
- Awning is **fully assembled** for easy installation
- **Class 4 impact rated** (ANSI/FM 4473) - the industry's highest hail test standard



## STEP 1 Choose a style

Use a base kit to start your awning project and add on extensions as needed. Awnings are available in two design.

### ICON® BASE KIT



### ERA® BASE KIT



## STEP 2 Select options

### POLYCARBONATE PANEL OPTIONS



### FRAME COLOR OPTIONS

Durable, powder coated finishes adhere to AAMA-2604 coating specifications for superior color retention, impact resistance, and weather protection.





ERA AWNING

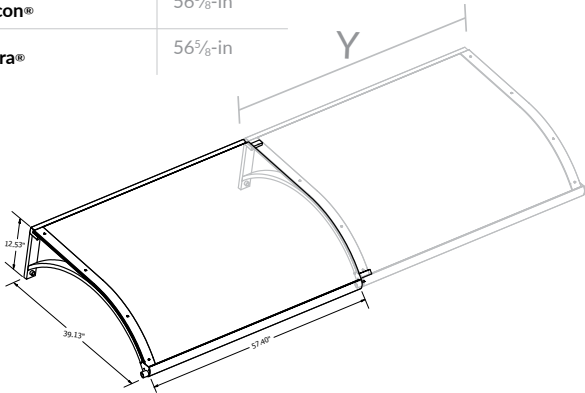
## STEP 3 Extend coverage

### EXTENSION KIT

Increase your awning with one or more extension kits.

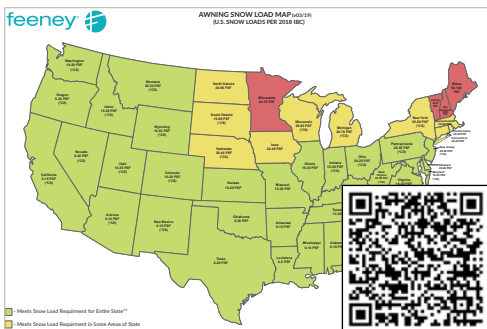
### KIT DIMENSIONS

Icon®	Y
Icon®	56 <sup>5</sup> / <sub>8</sub> -in
Era®	56 <sup>5</sup> / <sub>8</sub> -in



### PROTECTION FROM WIND AND SNOW

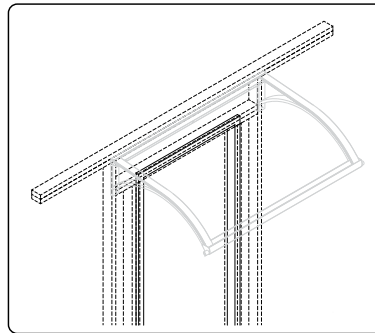
Feeney Awnings are engineered to withstand high snow/wind loads of up to 35.5 psf. Click the QR code below to check your area on our snow load map:



## STEP 4 Easy Installation

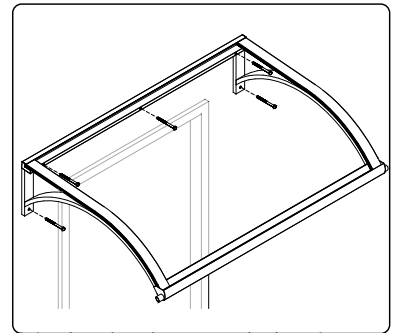
Use a base kit to start your awning project and add on extensions as needed. Awnings are available in two design.

### 1 POSITION AND PRE-DRILL



Determine location of awning on wall, and ensure blocking or structure exists at the attachment points. Pre-drill at mounting hole locations, based on specific fastener requirements.

### 2 ATTACH AND SEAL



Attach awning using necessary hardware for mounting substrate. Use weatherproof sealant between awning and mounting surface, and along top and side joints.

### AWNINGS WITH IMPACT



We put our Awnings to an extreme test to prove their exceptional durability.

Click the QR code to watch the video!

THE FEENEY FAMILY OF PRODUCTS  
CableRail • DesignRail®  
Awning Kits • Architectural Rods • Trellis Kits

FEENEY IS A PROUD MEMBER OF



AIA  
Continuing  
Education  
Provider

AMERICAN  
SOCIETY OF  
INTERIOR  
DESIGNERS



NOMMA  
NATIONAL ORNAMENTAL & METALLANALYTICAL ASSOCIATION  
EXECUTIVE BOARD



Leading  
Suppliers Council



Reorder # 16701 Version Date 06/24



feeneyinc.com  
1 (800) 888-2418

©2024 Feeney Inc.