

# SHADOWLINE SERIES



## EXTERIOR SHADOWLINE PANEL

6" - 12', 16' & 20'

6" - 2 x 3" REVEAL - 12', 16' & 20'

12" - 6 x 2" REVEAL - 12' & 16'

## ALUMINUM /PVC TRIMS

2PC OUTSIDE CORNER (2" & 3.5"), 2PC J-TRIM (2" & 3.5"), 2PC ALUMINUM H-TRIM (2.75"), 1PC PVC INSIDE CORNER, STARTER STRIP

## LEAD TIMES

1-2 WEEKS FOR STOCK COLORS + SHIPPING

2-3 WEEKS FOR NON-STOCK COLORS + SHIPPING

## FINISHES

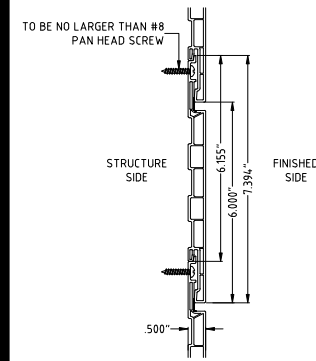
WOODGRAINS, SOLID COLORS, BRUSHED FINISHES, INTERIOR FINISHES  
NON-STOCK COLORS AVAILABLE (ADDITIONAL LEAD TIMES)

## TESTING

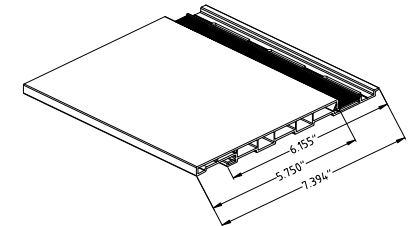
- CCMC 14323-R
- ICCES-ESR 4560
- NFPA285
- NFPA268
- CAN/ULC-S134
- CAN/ULC S102-2018
- CAN/CGSB - 41.24-95
- ASTM D3679-17
- ASTM D696-16
- ASTM D635-18
- ASTM D790
- ASTM G154-16
- ASTM G155-21
- ASTM D2843-22
- ASTM E119
- ASTM E330/E330-14 PROCEDURE B Q50<0.85
- ASTM D638-22
- ASTM D1929-20
- ASTM C518-17 (MODIFIED)
- TAS 202
- TAS 203
- RILEM TC -127-MS ACID RAIN

## CHAMCLAD ADVANTAGE

- 50 YEAR WARRANTY
- CONTRIBUTES TO LEED CERTIFICATION
- SCRATCH & GRAFFITI RESISTANT
- SUPERIOR UV PROTECTION
- IMPERVIOUS TO WATER ABSORPTION, BACTERIA AND MOLD
- LOW MAINTENANCE
- HIGH IMPACT RESISTANCE
- SHORT LEAD TIMES
- CANADIAN MANUFACTURED FROM 100% RECYCLED RIGID PVC
- CANADA AND US DISTRIBUTION

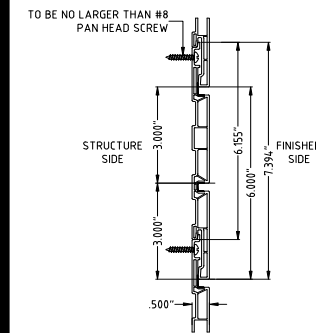


6" Panel with a full 6" reveal

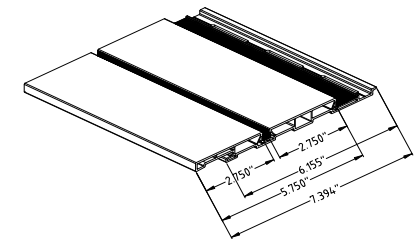


PERSPECTIVE

6" SHADOWLINE PROFILE STACKER SYSTEM INSTALLATION

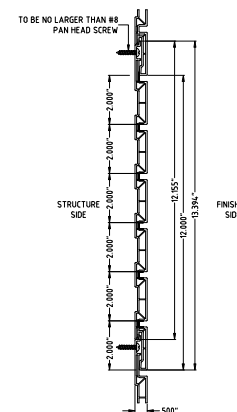


6" Panel with 2 x 3" reveals

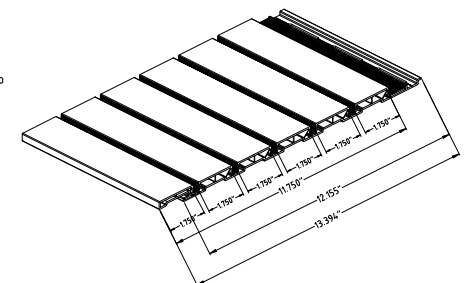


PERSPECTIVE

6" PANEL WITH 3" SHADOWLINE PROFILE STACKER SYSTEM INSTALLATION



12" Panel with 6 x 2" reveals



12" PANEL WITH 6" SHADOWLINE PROFILE STACKER SYSTEM INSTALLATION



Pending

